

Please check the examination details below before entering your candidate information

Candidate surname

Other names

Centre Number

Candidate Number

**Pearson Edexcel Level 1/Level 2 GCSE (9–1)**

**Monday 19 June 2023**

Morning (Time: 1 hour 45 minutes)

Paper  
reference

**1DT0/1F**

**Design and Technology**  
**COMPONENT 1: Timbers**

**You must have:**

calculator, ruler, HB pencil, protractor, pair of compasses

Total Marks

## Instructions

- Use **black** ink or ball-point pen.
- **Fill in the boxes** at the top of this page with your name, centre number and candidate number.
- Answer **all** questions.
- Answer the questions in the spaces provided  
– *there may be more space than you need.*
- Calculators may be used.
- Any diagrams may NOT be accurately drawn, unless otherwise indicated.
- You must **show all your working out** with **your answer clearly identified** at the **end of your solution**.

## Information

- The total mark for this paper is 100.
- The marks for **each** question are shown in brackets  
– *use this as a guide as to how much time to spend on each question.*

## Advice

- Read each question carefully before you start to answer it.
- Try to answer every question.
- Check your answers if you have time at the end.

Turn over ►

P71596A

©2023 Pearson Education Ltd.  
N:1/1/1/1



  
Pearson

## SECTION A

### Core


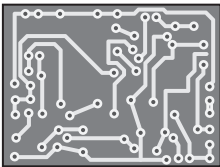
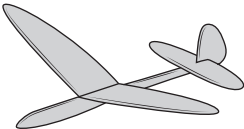

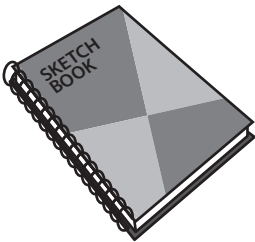
**Answer ALL questions. Write your answers in the spaces provided.**

- 1 (a) The materials that products are made from are chosen because of their properties.

Figure 1 shows a table of products.

For each of the products shown, give a property of the material it is made from that makes the material suitable for the product.

The first one has been done for you.

Picture of product	Material and product	Property
	Cotton T-shirt	Soft
	Polyester resin printed circuit board (PCB)	(1) (i) .....
	Balsa wood toy plane	(1) (ii) .....
	Stainless steel kitchen scissors	(1) (iii) .....
	Solid white board hardback book cover	(1) (iv) .....

**Figure 1**

DO NOT WRITE IN THIS AREA

DO NOT WRITE IN THIS AREA

DO NOT WRITE IN THIS AREA



DO NOT WRITE IN THIS AREA

DO NOT WRITE IN THIS AREA

DO NOT WRITE IN THIS AREA

A printing company wants to use a new and emerging technology. It operates as a privately-owned business.

- (b) (i) Explain **one** advantage for the company of operating as a privately-owned business.

(2)

.....

.....

.....

.....

The printing company has invested £150,000 of its own money to buy new and emerging technology but wants to raise an additional 30% by crowdfunding.

- (ii) Calculate how much additional money it will raise by crowdfunding.

(2)

Answer £ .....

**(Total for Question 1 = 8 marks)**



P 7 1 5 9 6 A 0 3 2 8

2 Figure 2 shows a concrete candle holder.

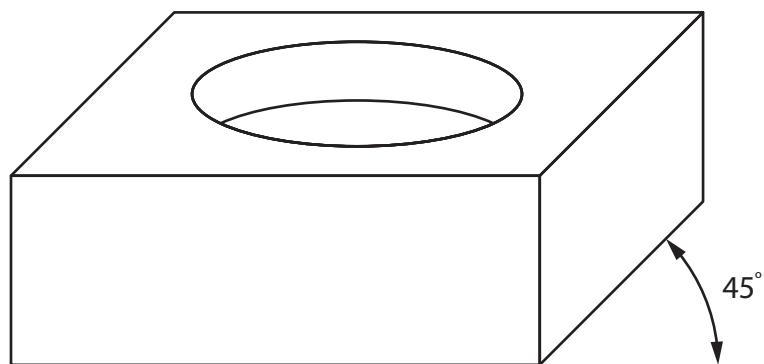


Figure 2

(a) Name the drawing method that has been used to show the concrete candle holder in Figure 2.

(1)

(b) Explain **one** reason for using concrete for the candle holder.

(2)

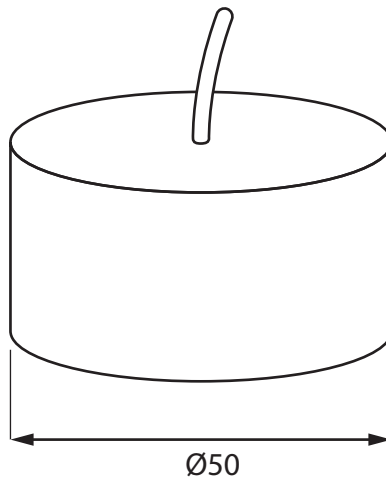


DO NOT WRITE IN THIS AREA

DO NOT WRITE IN THIS AREA

DO NOT WRITE IN THIS AREA

Figure 3 shows a standardised size of candle.



All dimensions in mm

Ø – diameter

**Figure 3**

(c) Explain **one** reason for manufacturing the concrete candle holder to hold a standardised size of candle.

(2)

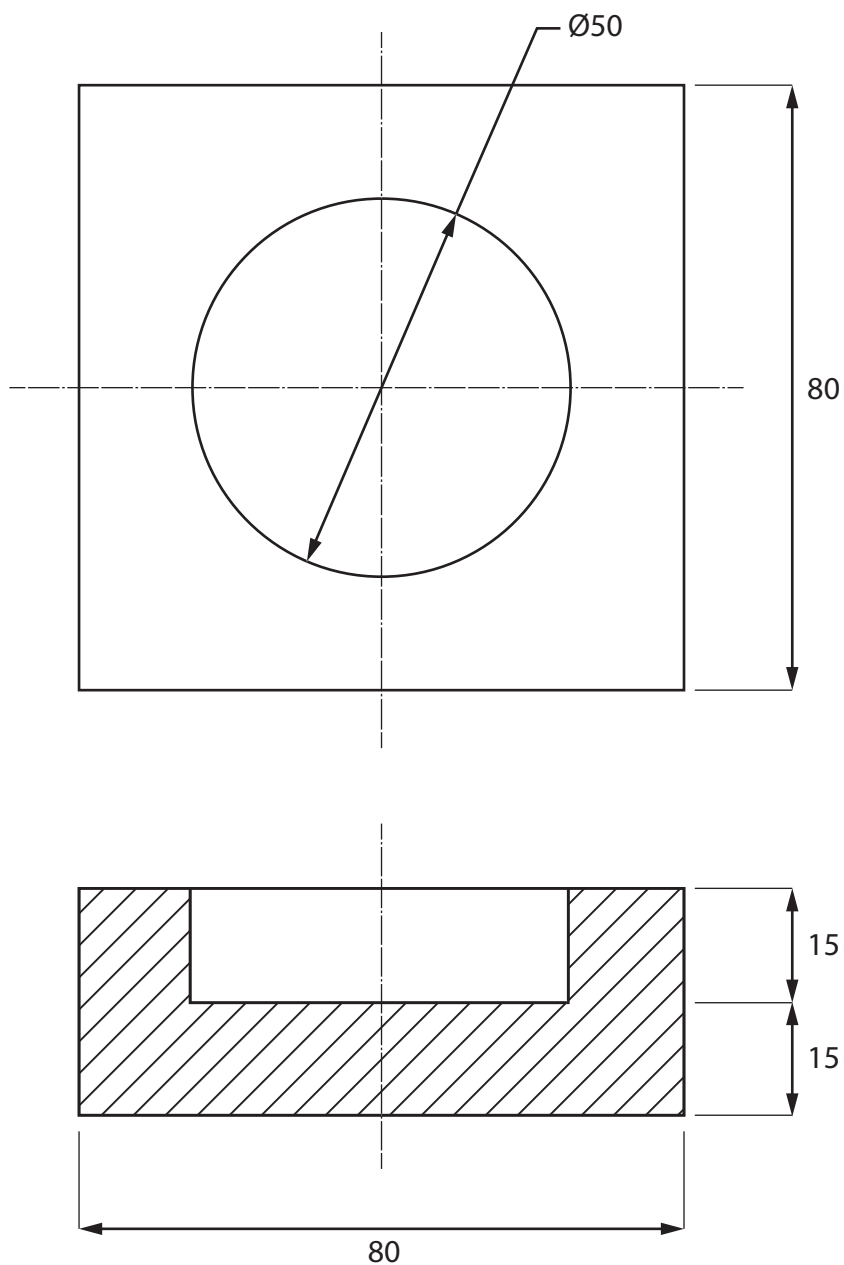
.....

.....

.....



Figure 4 shows a dimensioned drawing of the concrete candle holder.



All dimensions in mm

Volume of cylinder =  $\pi \times r^2 \times h$

Use  $\pi = 3.142$

**Figure 4**

DO NOT WRITE IN THIS AREA

DO NOT WRITE IN THIS AREA

DO NOT WRITE IN THIS AREA



DO NOT WRITE IN THIS AREA

DO NOT WRITE IN THIS AREA

DO NOT WRITE IN THIS AREA

(d) Calculate the volume of concrete required to make the candle holder.

Give your answer in  $\text{cm}^3$  to the nearest whole  $\text{cm}^3$ .

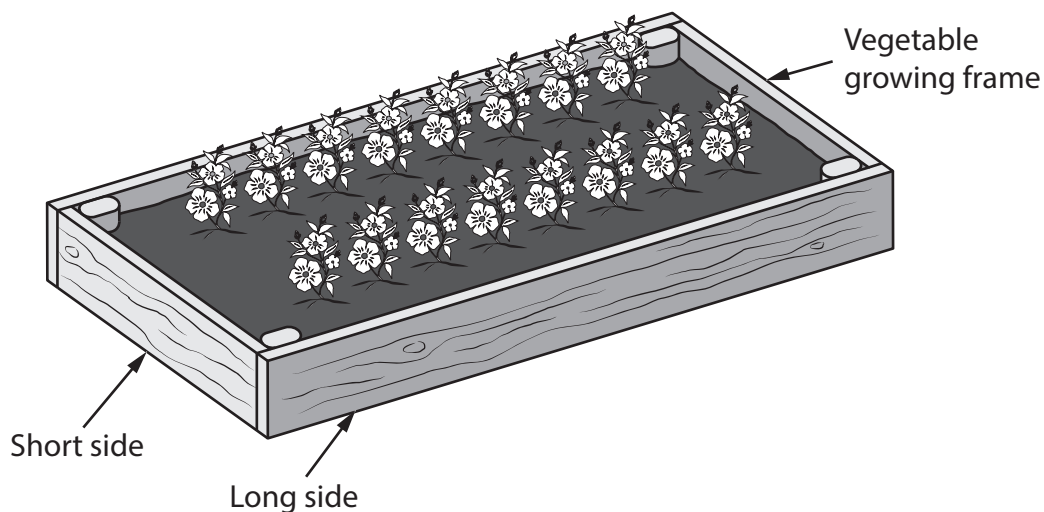
(4)

Answer .....  $\text{cm}^3$

**(Total for Question 2 = 9 marks)**



- 3 Figure 5 shows a vegetable growing frame that is manufactured from a softwood.



**Figure 5**

- (a) Name **one** softwood that can be used to manufacture the vegetable growing frame.

(1)

- (b) Explain **one** reason for manufacturing the vegetable growing frame from a softwood rather than a hardwood.

(2)

The original length of timber that is used to make the frame is 300 cm.

The combined length of one short side and one long side of the frame is 270 cm.

- (c) Calculate how much timber is left when a short side and a long side have been cut to size, giving your answer as a fraction of the original length of timber.

Ignore the width of any saw cuts.

(2)

Answer .....



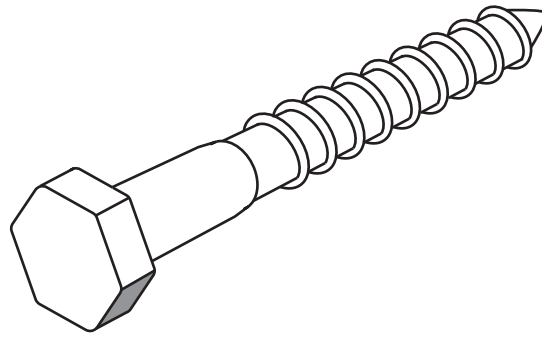


DO NOT WRITE IN THIS AREA

DO NOT WRITE IN THIS AREA

DO NOT WRITE IN THIS AREA

Figure 6 shows a mild steel fixing that has been used to join the vegetable growing frame together at the corners.



**Figure 6**

(d) Explain **one** disadvantage of using mild steel for the fixing.

(2)

.....

.....

.....

The vegetable growing frame is delivered in a box manufactured from corrugated board.

(e) Explain **two** benefits of using corrugated board to manufacture the box.

(4)

1 .....

.....

.....

.....

2 .....

.....

.....

.....

**(Total for Question 3 = 11 marks)**

.....

.....

.....

.....

.....



4 Figure 7 shows a polyester laptop bag.



Figure 7

(a) Explain **one** working property of polyester that makes it an appropriate choice of material to make the laptop bag.

(2)

.....

.....

.....

.....

(b) The material for the laptop bag is 60% new polyester and the rest is recycled polyester.

The laptop bag requires 320 grams of polyester in total.

Calculate how many grams of recycled polyester are required for the laptop bag.

(2)

Answer ..... grams



The manufacturer carries out a life cycle analysis (LCA) to help reduce the environmental impact of the laptop bag.

(c) Explain **one** outcome of an LCA that can help to reduce the environmental impact of the laptop bag.

(2)

.....

.....

.....

.....

(d) Discuss how the features of modern laptops have contributed to remote working.

(6)

.....

.....

.....

.....

.....

.....

.....

.....

.....

.....

.....

.....

.....

.....

.....

.....

.....

.....

.....

.....

.....

.....

.....

.....

DO NOT WRITE IN THIS AREA

DO NOT WRITE IN THIS AREA

DO NOT WRITE IN THIS AREA



DO NOT WRITE IN THIS AREA

DO NOT WRITE IN THIS AREA

DO NOT WRITE IN THIS AREA

(Total for Question 4 = 12 marks)

**TOTAL FOR SECTION A = 40 MARKS**



DO NOT WRITE IN THIS AREA

DO NOT WRITE IN THIS AREA

DO NOT WRITE IN THIS AREA

**BLANK PAGE**  
**SECTION B BEGINS ON THE NEXT PAGE.**



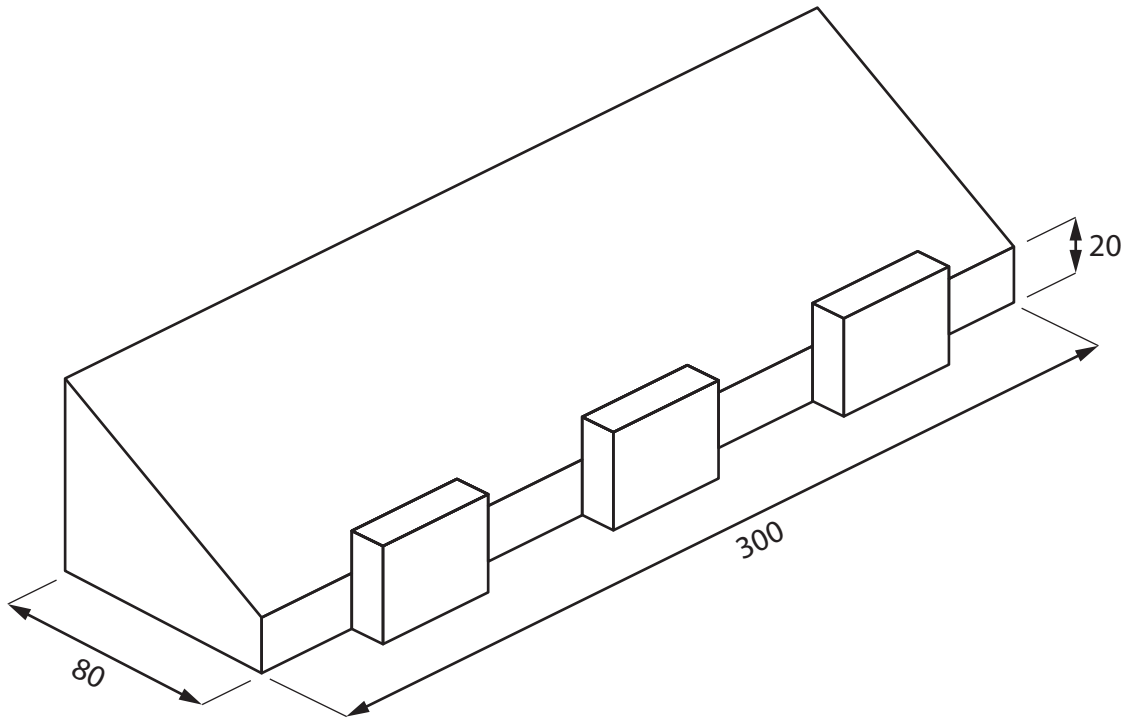
P 7 1 5 9 6 A 0 1 3 2 8

**SECTION B**

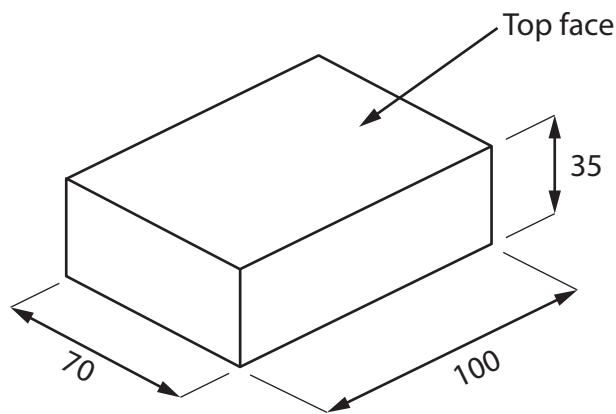
**Timbers**

**Answer ALL questions. Write your answers in the spaces provided.**

- 5 Figure 8 shows a design solution for a display stand to hold three boxes of chocolates together with some additional information.



Additional information – dimensions of box of chocolates



All dimensions in mm

**Figure 8**

DO NOT WRITE IN THIS AREA

DO NOT WRITE IN THIS AREA

DO NOT WRITE IN THIS AREA



- (a) The display stand holds three boxes of chocolates and needs to be improved to include the following specification points.

The display stand must:

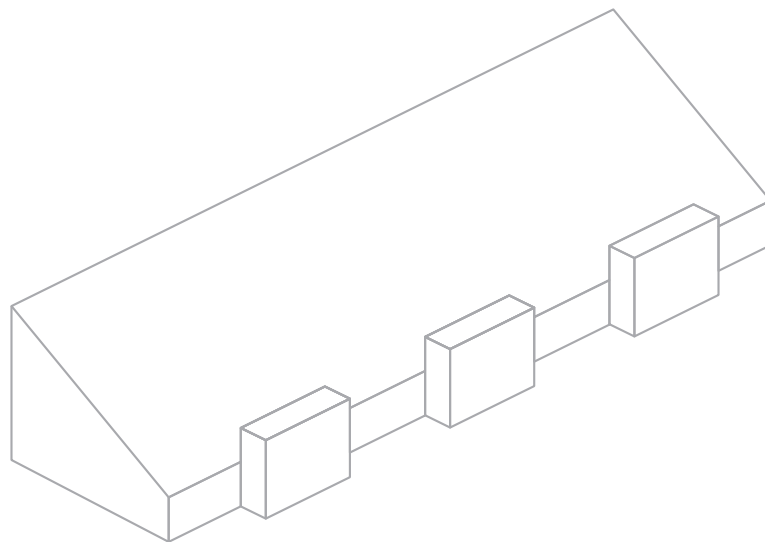
- be able to hold an additional three boxes of chocolates and allow the top face of each individual chocolate box to be seen
- include a method to show the price of a box of chocolates that allows the price to be changed
- be portable so that it can be moved to another place without the chocolate boxes falling off.

Use notes and sketches to show how the display stand could be modified to include these three specification points.

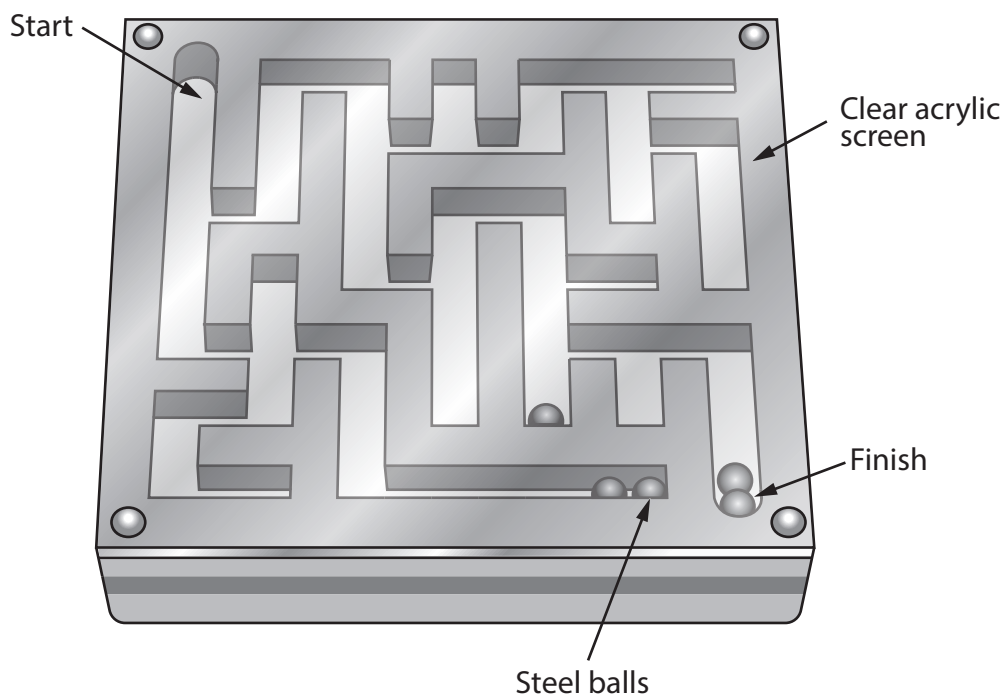
You will be marked on how you apply your understanding of design and technology, not your graphical skills.

Use the outline of the original design solution to show your modifications.

(6)



(b) Figure 9 shows a wooden puzzle that is used to help develop hand-eye coordination in young children.



**Figure 9**

Explain **two** ways that the wooden puzzle meets, or fails to meet, the criterion of providing a method to help develop hand-eye coordination in young children.

(4)

1 .....

.....

.....

.....

2 .....

.....

.....

.....

**(Total for Question 5 = 10 marks)**

DO NOT WRITE IN THIS AREA

DO NOT WRITE IN THIS AREA

DO NOT WRITE IN THIS AREA

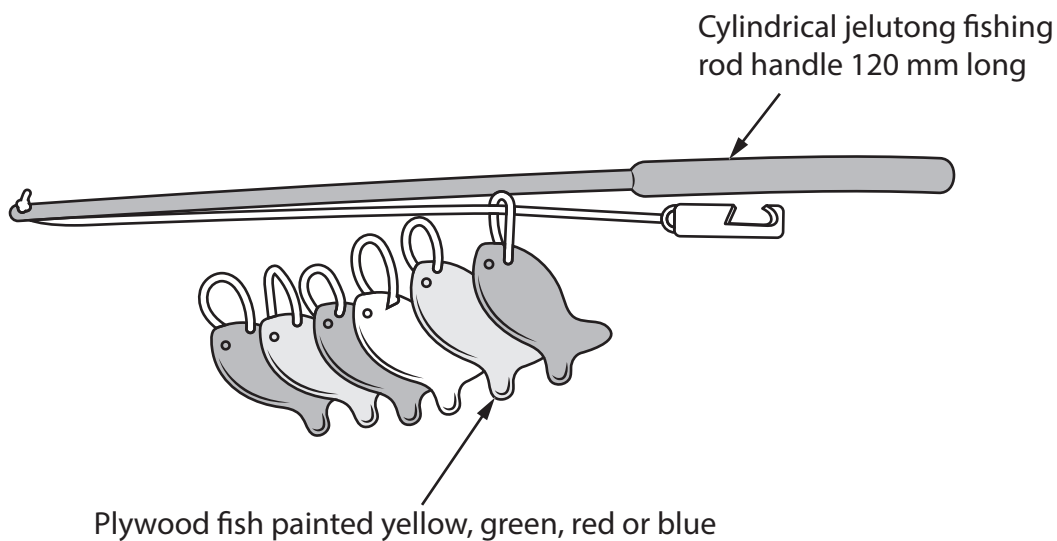




DO NOT WRITE IN THIS AREA

6 Figure 10 shows a child's play fishing set. The set is sold with written instructions explaining how to use it.

The fishing rod handle is manufactured from jelutong.



**Figure 10**

(a) Explain **two** characteristics of jelutong that make it an ideal material from which to make the fishing rod handle.

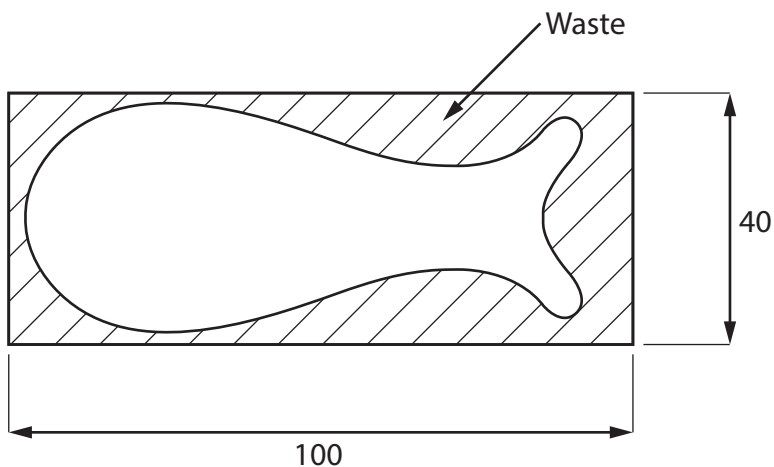
(4)

1 .....

2 .....



(b) Figure 11 shows the outline of a fish marked out on a piece of 6 mm plywood.



All dimensions in mm

**Figure 11**

Use notes and sketches, in the space below, to show how the fish would be cut out using hand tools.

You will be marked on how you apply your understanding of design and technology, not your graphical skills.

(4)

Blank space for student response.

DO NOT WRITE IN THIS AREA

DO NOT WRITE IN THIS AREA

DO NOT WRITE IN THIS AREA



DO NOT WRITE IN THIS AREA

DO NOT WRITE IN THIS AREA

DO NOT WRITE IN THIS AREA

(c) Explain **one** way that the manufacturer can avoid causing offence to potential buyers of the play fishing set in different countries. (2)

.....

.....

.....

.....

(d) Give **two** different methods that could be used to manufacture the cylindrical jelutong fishing rod handle from a length of square section material. Explain **one** reason for using each manufacturing method. (6)

Method 1

.....

Explanation

.....

.....

.....

Method 2

.....

Explanation

.....

.....

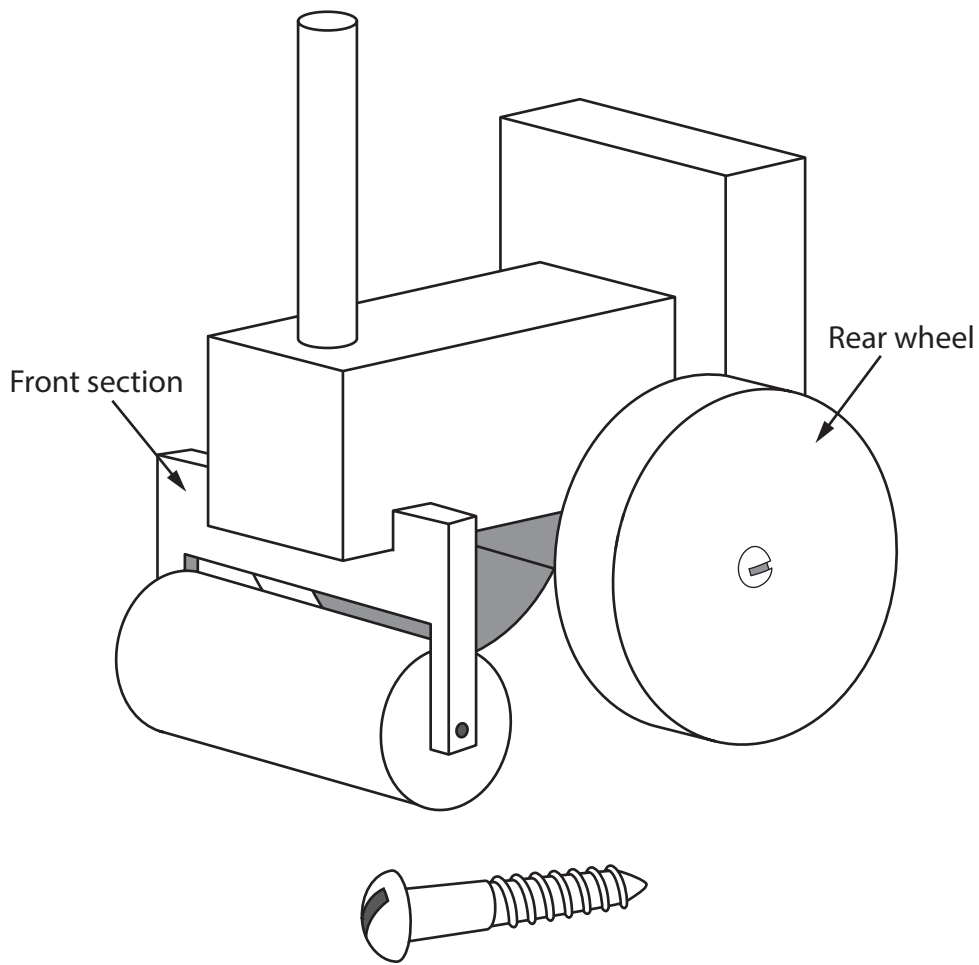
.....

**(Total for Question 6 = 16 marks)**

.....



- 7 Figure 12 shows a wooden toy that is manufactured in a batch of 100 and a screw that is used in the assembly of the toy.



**Figure 12**

- (a) Name the specific type of screw head shown in Figure 12.

(1)

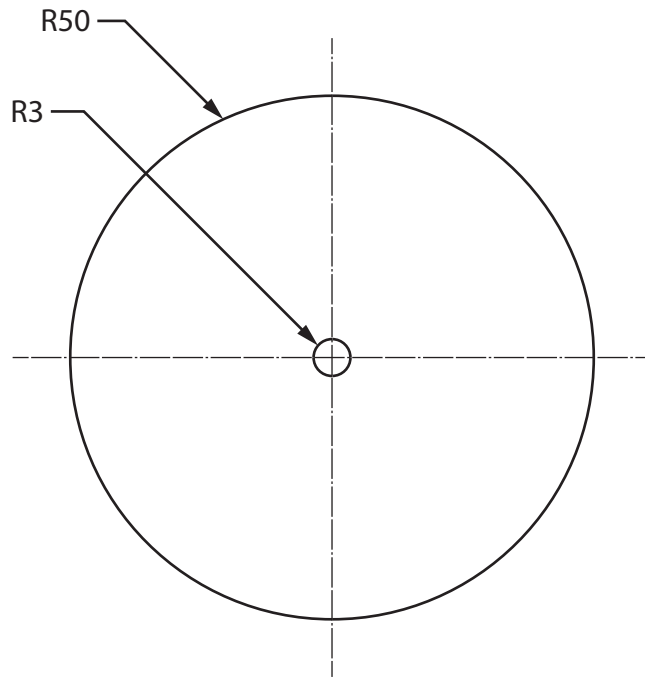
DO NOT WRITE IN THIS AREA

DO NOT WRITE IN THIS AREA

DO NOT WRITE IN THIS AREA



Figure 13 shows the rear wheel of the toy which has been made from 12 mm thick plywood using computer-aided manufacturing (CAM).



All dimensions in mm

**Figure 13**

(b) Explain **two** advantages of using CAM to manufacture the rear wheels of the toy.

(4)

1 .....

.....

.....

.....

2 .....

.....

.....

.....

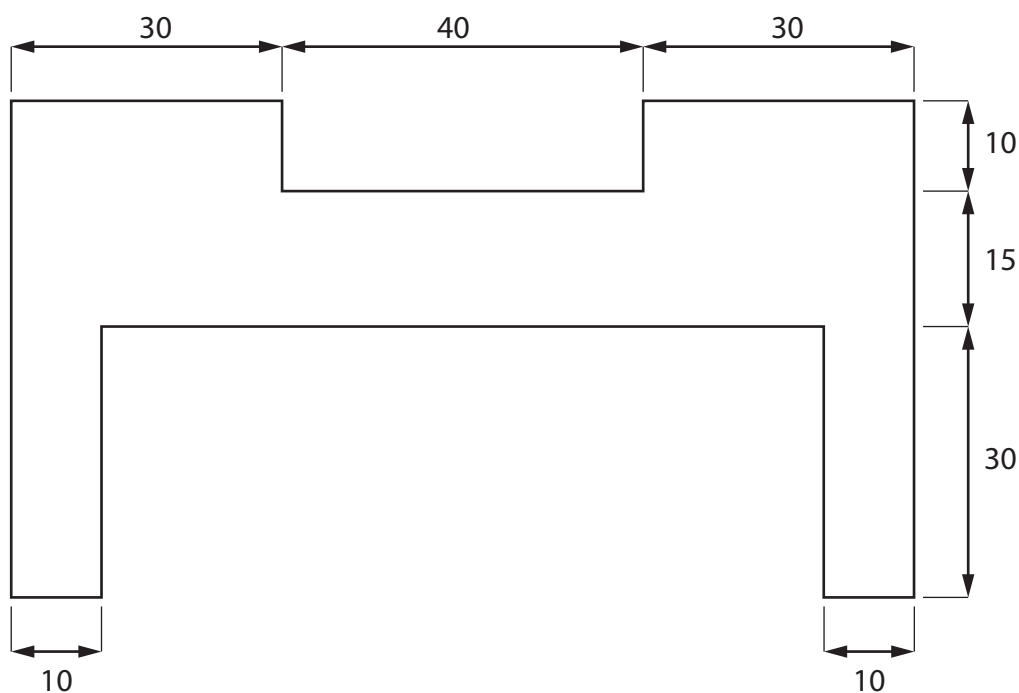


(c) Figure 14 shows a dimensioned drawing of a template for the front section of the toy.

The template will be used to mark out the front section of the toy and will be made from 5 mm thick material.

Produce an isometric drawing of the template on the grid provided.

(5)



All dimensions in mm

Diagram not to scale

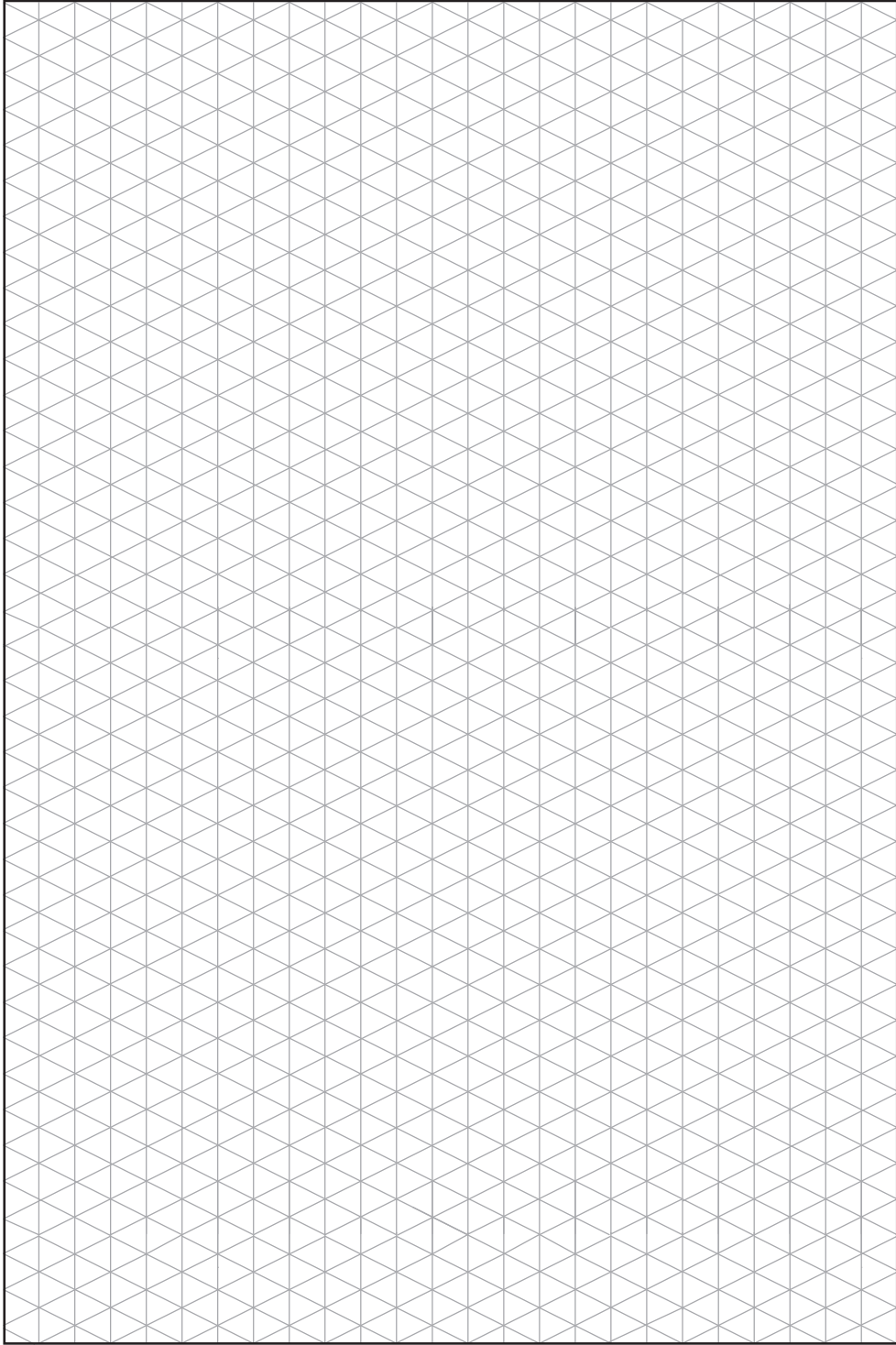
**Figure 14**



DO NOT WRITE IN THIS AREA

DO NOT WRITE IN THIS AREA

DO NOT WRITE IN THIS AREA



5 mm isometric grid



(d) Explain **two** disadvantages of using a template to mark out the front section of the toy.

(6)

1 .....

.....

.....

.....

.....

.....

2 .....

.....

.....

.....

.....

.....

**(Total for Question 7 = 16 marks)**

DO NOT WRITE IN THIS AREA

DO NOT WRITE IN THIS AREA

DO NOT WRITE IN THIS AREA





DO NOT WRITE IN THIS AREA

DO NOT WRITE IN THIS AREA

DO NOT WRITE IN THIS AREA

8 Figure 15 shows a pair of chopsticks manufactured from birch.

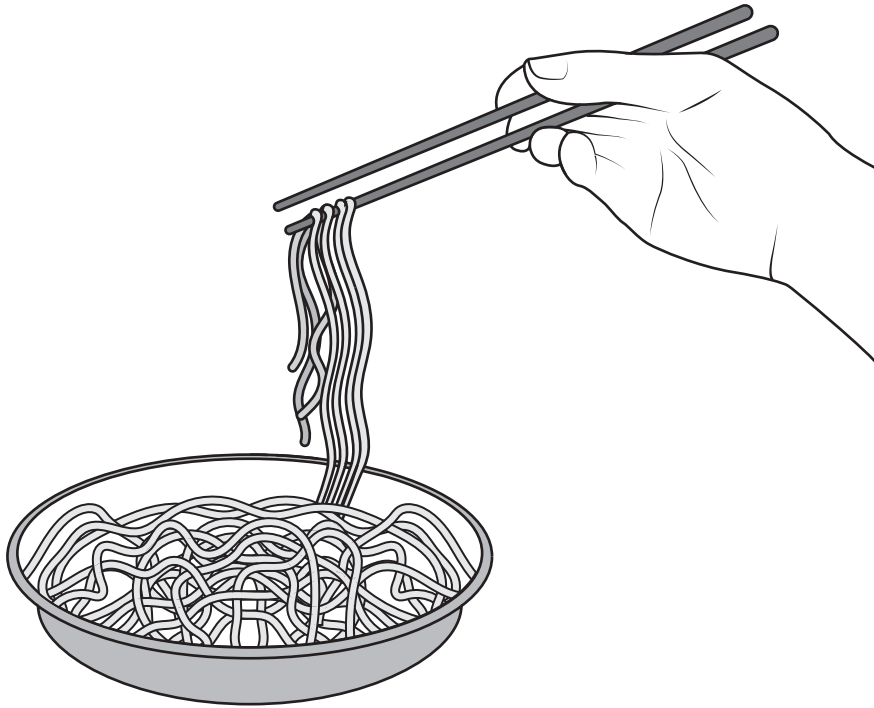


Figure 15

Manufacturing chopsticks from birch is cost effective.

(a) Explain **one other** benefit of manufacturing the chopsticks from birch.

(2)

.....

.....

.....

.....

(b) Explain **one** cost factor that will have been considered when selecting birch as the material from which to manufacture the chopsticks.

(3)

.....

.....

.....

.....



(c) Explain **two** quality control checks that would be carried out on the chopsticks before they are allowed to leave the factory.

(4)

1 .....

.....

.....

.....

.....

2 .....

.....

.....

.....

DO NOT WRITE IN THIS AREA

DO NOT WRITE IN THIS AREA

DO NOT WRITE IN THIS AREA



(d) The chopsticks are manufactured in China and sold around the world.

Figure 16 shows some additional information about the chopsticks.

<b>Source of birch</b>	European forests
<b>Country of manufacture</b>	China
<b>Potential market</b>	Restaurants, takeaway restaurants and homes
<b>Scale of production</b>	Continuous

**Figure 16**

Analyse the information in Figure 16.

Evaluate the chopsticks with reference to social factors including:

- use for different social groups
- trends / fashion
- popularity.

(9)

.....

.....

.....

.....

.....

.....

.....

.....

.....

.....

.....

.....

.....

.....

.....

.....

.....

.....

.....

.....

.....

.....

.....



DO NOT WRITE IN THIS AREA

DO NOT WRITE IN THIS AREA

DO NOT WRITE IN THIS AREA

**(Total for Question 8 = 18 marks)**

**TOTAL FOR SECTION B = 60 MARKS  
TOTAL FOR PAPER = 100 MARKS**

