

...day ... Month Year – Morning/Afternoon
GCSE (9–1) Computer Science

J277/02 Computational thinking, algorithms and programming

Time allowed: 1 hour 30 minutes

Sample Question paper



Do not use:

- a calculator

Version 1.3



Please write clearly in black ink. **Do not write in the barcodes.**

Centre number

--	--	--	--	--

 Candidate number

--	--	--	--

First name(s) _____

Last name _____

INSTRUCTIONS

- Use black ink.
- Write your answer to each question in the space provided. If you need extra space use the lined pages at the end of this booklet. The question numbers must be clearly shown.
- Answer **all** the questions.

INFORMATION

- The total mark for this paper is **80**.
- The marks for each question are shown in brackets [].
- This document has **20** pages.

ADVICE

- Read each question carefully before you start to answer.

BLANK PAGE

Answer **all** the questions.

Section A

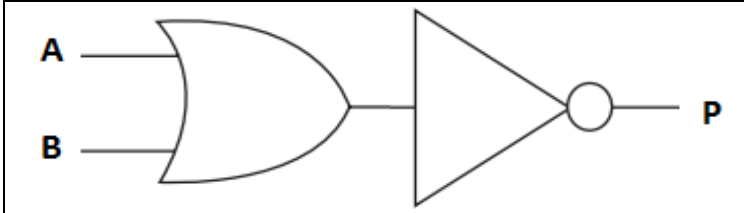
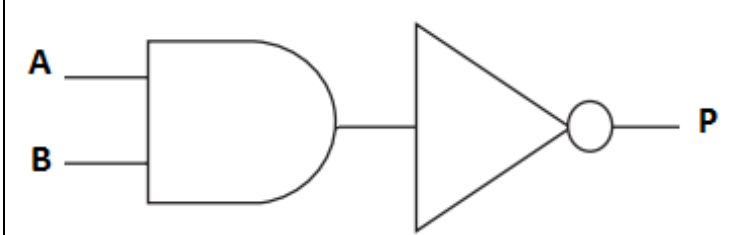
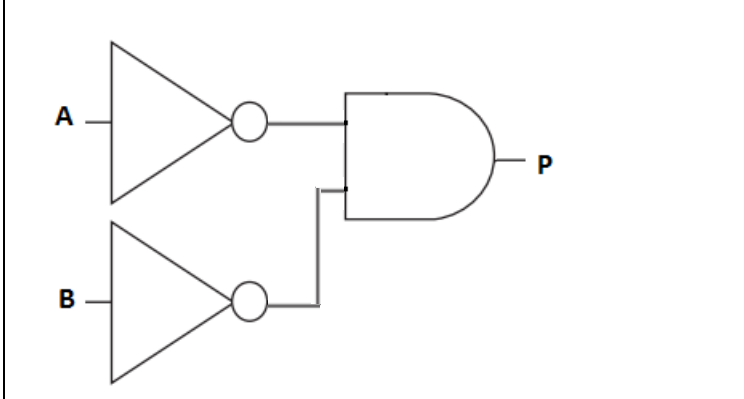
- 1 (a) Complete the truth table in **Fig. 1** for the Boolean statement $P = \text{NOT}(A \text{ AND } B)$.

A	B	P
0	0	1
0	1
1	0
1	1	0

Fig. 1

[2]

- (b) Tick (✓) **one** box to identify the correct logic diagram for $P = \text{NOT}(A \text{ AND } B)$.

$P = \text{NOT}(A \text{ AND } B)$	Tick (✓) one box
	
	
	

[1]

2 A program needs to perform the following tasks:

- Input two numbers from the user
- Compare both numbers and output the largest number.

(a) Complete the pseudocode for this program.

```
num1 = .....  
num2 = input("enter second number")  
  
..... num1 > ..... then  
.....  
  
else  
.....  
  
endif
```

[5]

(b) A second program needs to perform the following tasks:

- Input a number from the user
- Double the number input and print the result
- Repeat bullets 1 and 2 until the user enters a number less than 0.

Write an algorithm for this program.

.....
.....
.....
.....
.....
.....
.....
.....
.....
.....
.....

[5]

- 3 The database table `Results` stores the results for each student in each of their chosen subjects.

StudentName	Subject	Grade
Alistair	English	3
Jaxon	Art	5
Alex	Art	4
Anna	French	7
Ismaael	Art	9

Complete the SQL query to return all of the fields for the students who take Art.

SELECT

FROM

WHERE

[3]

- 4 A program creates usernames for a school. The first design of the program is shown in the flowchart in **Fig. 2**.

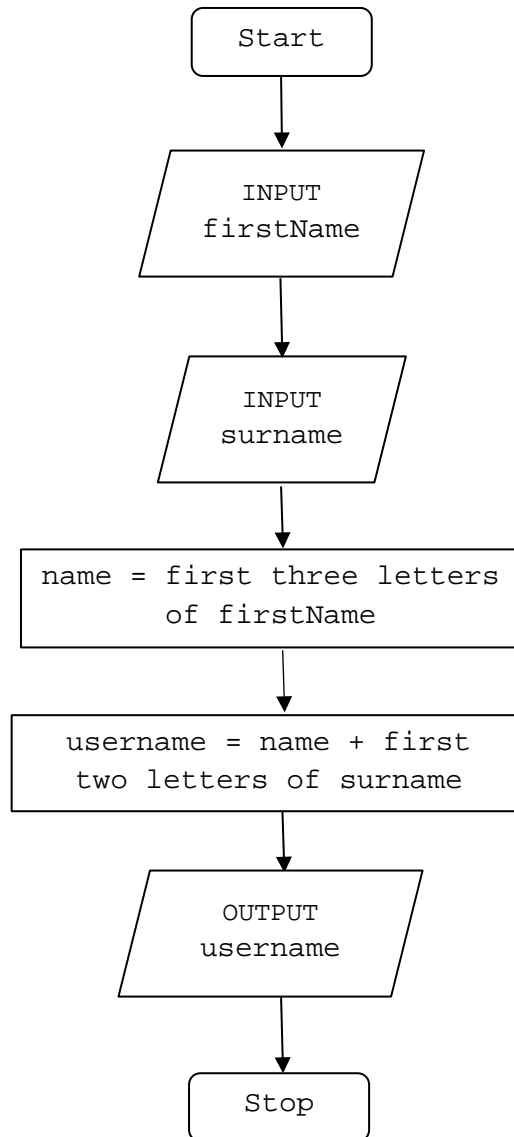


Fig. 2

For example, using the process in **Fig. 2**, Tom Ward's username would be TomWa.

(a) State, using the process in **Fig. 2**, the username for Rebecca Ellis.

..... [1]

5 A computer game is written in a high-level programming language.

(a) State why the computer needs to translate the code before it is executed.

..... [1]

(b) Either a compiler or an interpreter can translate the code.

Describe **two** differences between how a compiler and an interpreter would translate the code.

1

.....

.....

.....

2

.....

.....

.....

[4]

6 A program uses a file to store a list of words that can be used in a game.

A sample of this data is shown in **Fig. 3**.

crime	bait	fright	victory	nibble	loose
-------	------	--------	---------	--------	-------

Fig. 3

(a) Show the stages of a bubble sort when applied to data shown in **Fig. 3**.

.....

.....

.....

.....

.....

.....

.....

.....

[4]

(b) A second sample of data is shown in **Fig. 4**.

amber	house	kick	moose	orange	range	tent	wind	zebra
-------	-------	------	-------	--------	-------	------	------	-------

Fig. 4

Show the stages of a binary search to find the word `zebra` using the data shown in **Fig. 4**.

.....

.....

.....

.....

.....

.....

.....

.....

[4]

7 The area of a circle is calculated using the formula $\pi \times r^2$ where π is equal to 3.142 and r is the radius.

A program is written to allow a user to enter the radius of a circle as a whole number between 1 and 30, then calculate and output the area of the circle.

```
01 radius = 0
02 area = 0.0
03 radius = input("Enter radius")
04 if radius < 1 OR radius > 30 then
05 print("Sorry, that radius is invalid")
06 else
07 area = 3.142 * (radius ^ 2)
08 print (area)
09 endif
```

(a) Explain, using examples from the program, **two** ways to improve the maintainability of the program.

1

.....

.....

.....

.....

2

.....

.....

.....

[4]

(b) Identify **two** variables used in the program.

1

2

[2]

(c) (i) Identify **one** item in the program that could have been written as a constant.

..... [1]

(ii) Give **one** reason why you have identified this item as a constant.

..... [1]

(d) Tick (✓) **one** box in each row to identify whether each programming construct has or has **not** been used in the program.

	Has been used	Has not been used
Sequence		
Selection		
Iteration		

[3]

(e) An Integrated Development Environment (IDE) is used to write the program.

Identify **two** features of an IDE that might be used when writing the program.

1

.....

2

.....

[2]

Section B

We advise you to spend at least 40 minutes on this section.

Some questions require you to respond using either the OCR Exam Reference Language or a high-level programming language you have studied. These are clearly shown.

- 8 A teacher researches the length of time students spend playing computer games each day.
- (a) Tick (✓) **one** box to identify the data type you would choose to store the data and explain why this is a suitable data type.

Data Type	Tick (✓) one box
String	
Integer	
Real	
Boolean	

Explanation:

.....

[2]

(b) The program should only allow values from **0** to **300** inclusive as valid inputs. If the data entered breaks this validation rule, an error message is displayed.

(i) Complete the following program to output "Invalid input" if the data does not meet the validation rule.

You must use **either**:

- OCR Exam Reference Language, **or**
- a high-level programming language that you have studied.

```
mins = input("Enter minutes played: ")
if mins < 0 ..... mins ..... then
    ..... ("Invalid input")
endif
```

[3]

(ii) Complete the following test plan for the program in **8(b)(i)**.

Test data	Test type	Expected result
25	Normal	Value accepted
	Invalid	Invalid input message displayed
300	Boundary	

[2]

(c) Data for one week (Monday to Friday) is stored in a 2D array with the identifier `minsPlayed`.

The following table shows part of this array, containing 4 students.

		Students				
		Stuart	Wes	Victoria	Dan	
		0	1	2	3	
Days of the week	Mon	0	60	30	45	0
	Tue	1	180	60	0	60
	Wed	2	200	30	0	20
	Thu	3	60	10	15	15
	Fri	4	100	35	30	45

The teacher wants to output the number of minutes Dan (column index 3) played computer games on Wednesday (row index 2). The following code is written:

```
print(minsPlayed[3,2])
```

Write a line of code to output the number of minutes that Stuart played computer games on Friday.

You must use **either**:

- OCR Exam Reference Language, **or**
- a high-level programming language that you have studied.

.....

..... [1]

(d) The teacher writes a program to add up and print out the total number of minutes student 2 played computer games over 5 days (Monday to Friday).

```
total = 0  
  
total = total + minsPlayed[2,0]  
  
total = total + minsPlayed[2,1]  
  
total = total + minsPlayed[2,2]  
  
total = total + minsPlayed[2,3]  
  
total = total + minsPlayed[2,4]  
  
print(total)
```

Refine the program to be more efficient. Write the refined version of the algorithm.

You must use **either**:

- OCR Exam Reference Language, **or**
- a high-level programming language that you have studied.

.....
.....
.....
.....
.....
.....
.....
.....
.....
.....
.....
.....
.....
.....
.....
.....
.....
.....
.....
.....
.....

[4]

(e) The following program uses a condition-controlled loop.

```
x = 15
y = 0
while x > 0
    y = y + 1
    x = x - y
endwhile
print(y)
```

Complete the trace table to test this program.

x	y	output

[4]

- (f) A teacher writes an algorithm to store the name of the game a student plays each night (for example "OCR Zoo Simulator").

`variable.length` returns the number of characters in `variable`.

`variable.upper` returns the characters in `variable` in upper case.

```

valid = false

while(valid == false)

    gameName = input("Enter the game name")

    if (gameName.length > 0) AND (gameName.length < 20)

        gamesPlayed = gameName.upper

        valid = true

        print("Valid game name")

    else

        print("Game name is not valid")

    endif

endwhile

```

The algorithm needs testing to make sure the IF-ELSE statement works correctly.

Identify **two** different pieces of test data that can be used to test different outputs of the algorithm. Give the output from the program for each piece of test data.

Test data 1

Expected output

Test data 2

Expected output

[4]

- (g) The teacher asks students how long they spend completing homework. Students answer in minutes and hours (for example 2 hours 15 minutes).

The teacher would like to create an algorithm that will display students' inputs in minutes only.

- (i) Identify the input and output required from this algorithm.

Input

Output

[2]

- (ii) A program is created to convert hours and minutes into a total number of minutes.

The teacher wants to create a sub program to perform the calculation.

The program has been started but is not complete.

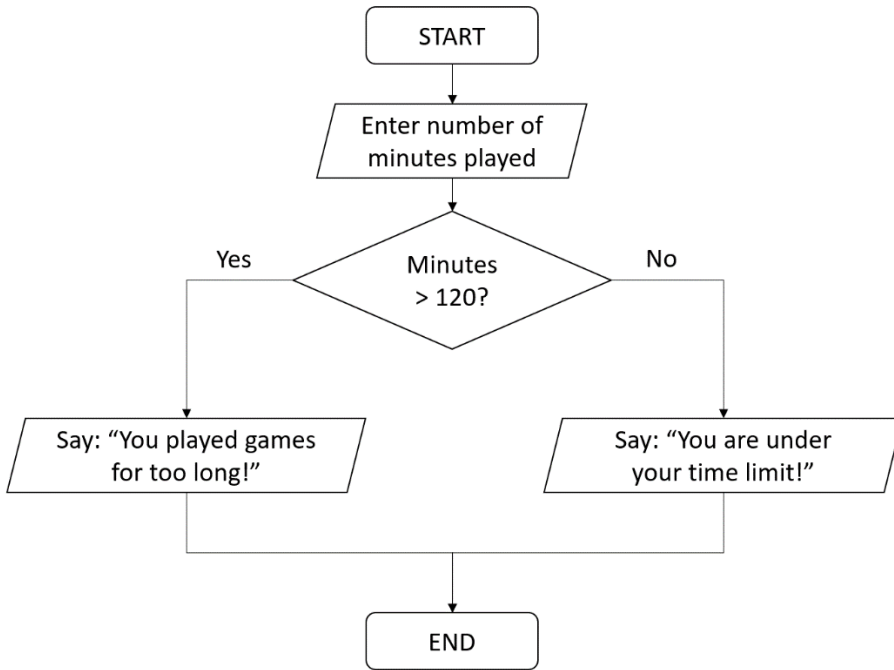
Complete the design for the program.

```
hours = input("Please enter number of hours played")
minutes = input("Please enter number of minutes played")
finalTotal = .....
print(finalTotal)
```

```
function .....
.....
.....
.....
.....
endfunction
```

[4]

(iii) The following flowchart outputs a message depending on how long each person has spent playing computer games.



Rewrite the flowchart as a program.

You must use **either**:

- OCR Exam Reference Language, **or**
- a high-level programming language that you have studied.

.....

.....

.....

.....

.....

.....

.....

.....

.....

.....

.....

.....

[4]

END OF QUESTION PAPER

OCR

Oxford Cambridge and RSA

...day June 20XX – Morning/Afternoon

GCSE (9–1) Computer Science

J277/02 Computational thinking, algorithms and programming

SAMPLE MARK SCHEME

Time allowed: 1 hour 30 minutes

MAXIMUM MARK 80

SAMPLE MARK SCHEME

Version 1.3

This document consists of 21 pages

MARKING INSTRUCTIONS

PREPARATION FOR MARKING

SCORIS

1. Make sure that you have accessed and completed the relevant training packages for on–screen marking: *scoris assessor Online Training*; *OCR Essential Guide to Marking*.
2. Make sure that you have read and understood the mark scheme and the question paper for this unit. These are posted on the RM Cambridge Assessment Support Portal <http://www.rm.com/support/ca>
3. Log–in to scoris and mark the **required number** of practice responses (“scripts”) and the **required number** of standardisation responses.

YOU MUST MARK 10 PRACTICE AND 10 STANDARDISATION RESPONSES BEFORE YOU CAN BE APPROVED TO MARK LIVE SCRIPTS.

	Assessment Objective
AO1	Demonstrate knowledge and understanding of the key concepts and principles of computer science.
AO1 1a	Demonstrate knowledge of the key concepts and principles of computer science.
AO1 1b	Demonstrate understanding of the key concepts and principles of computer science.
AO2	Apply knowledge and understanding of key concepts and principles of computer science.
AO2 1a	Apply knowledge of key concepts and principles of computer science.
AO2 1b	Apply understanding of key concepts and principles of computer science.
AO3	Analyse problems in computational terms: <ul style="list-style-type: none">• to make reasoned judgements• to design, program, evaluate and refine solutions.
AO3 1	To make reasoned judgements (this strand is a single element).
AO3 2a	Design solutions.
AO3 2b	Program solutions.
AO3 2c	Evaluate and refine solutions.

COMPONENT 2 SECTION B SYNTAX GUIDANCE

In Section B, certain questions require candidates to answer in either the OCR Exam Reference Language or the high-level programming language they are familiar with. The information in this section provides generic guidelines in relation to the marking of these questions.

Where a response requires an answer in OCR Exam Reference Language or a high-level programming language, a candidate's level of precision will be assessed. These questions are designed to test both a candidate's programming logic and understanding of core programming structures.

Marks will be given for correctly using syntax to represent core programming constructs which are common across all programming languages. The construct must be present in a recognisable format in a candidate's answer.

Where the response requires a candidate to respond using the OCR Exam Reference Language or a high-level programming language, answers written in pseudocode, natural English or bullet points **must not** be awarded marks.

The guidance below covers the elements of each core construct. As guidance, several examples are provided for each. These examples are not exclusive but do present a variety of acceptable ways taken from a range of different languages.

Concept		Examiner Guidance
Commenting		
<pre>// //This function squares a number function squared(number) squared = number^2 return squared endfunction //End of function</pre>	<pre>function squared(number) squared = number^2 return squared endfunction //End of function</pre>	<ul style="list-style-type: none"> • Other examples allowable, e.g.: <ul style="list-style-type: none"> ○ # this is a comment ○ /* this is another comment */
Variables		
<pre>= const global</pre>	<pre>x = 3 name = "Louise" const vat = 0.2 global userID = "Cust001"</pre>	<ul style="list-style-type: none"> • Variables and constants are assigned using the = operator • Constants are assigned using the <code>const</code> keyword (or similar) • Identifiers should not have clear spaces within them or start with numbers • String values must use quotation marks (or equivalent) • Assignment must use =, :=, ← (or a suitable alternative) • variable identifier must be on the left when using OCR Exam Reference Language and the value to be assigned on the right • Some languages allow the value on the left- and the identifier on the right-hand side • Variables and constants are declared the first time a value is assigned. They assume the data type of the value they are given • Variables and constants that are declared inside a function or procedure are local to that subroutine • Variables in the main program can be made global with the keyword <code>global</code> • For input, a suitable command word for input and a variable identifier to assign data to (if required) <p>e.g.</p> <pre>INPUT identifier identifier = INPUT</pre>

Input/Output		
input(...) print(...)	myName = input("Please enter a name") print("My name is Noni") print(myArray[2,3])	<ul style="list-style-type: none"> • For output, a command word for output (e.g. output, print, cout) • Data to be output. If this is a string then quotation marks (or equivalent) are required • If multiple items are to output, a suitable symbol for concatenation such as +, &.
Casting		
str() int() real() bool()	str(345) int("3") real("4.52") bool("True")	<ul style="list-style-type: none"> • Variables can be typecast using the int str and float functions

Iteration		
for ... to ... next ... for ... to ... step ... next ...	<pre>for i=0 to 9 print("Loop") next i for i=2 to 10 step 2 print(i) next i for i=10 to 0 step -1 print(i) next i</pre>	<ul style="list-style-type: none"> • for keyword • ...with counter variable • Identification of number of times to iterate • Clear identification of which section of code will be repeated (e.g. using indentation, next keyword or equivalent, {braces})

<pre>while ... endwhile do until ...</pre>	<pre>while answer != "Correct" answer = input("New answer") endwhile do answer = input("New answer") until answer == "Correct"</pre>	<ul style="list-style-type: none"> • While / do..until key words or equivalent • ...with logical comparison • clear identification of which section of code will be repeated (e.g. using indentation, endwhile/until keyword or equivalent, braces)
Selection		
<pre>if ... then elseif ... then else endif switch ... : case ... : case ... : default: endswitch</pre>	<pre>if answer == "Yes" then print("Correct") elseif answer == "No" then print("Wrong") else print("Error") endif switch day : case "Sat": print("Saturday") case "Sun": print("Sunday") default: print("Weekday") endswitch</pre>	<ul style="list-style-type: none"> • if key word followed by logical comparison • key word for elseif or equivalent followed by logical comparison • key word for else or equivalent with no comparison • clear identification of which section of code will be executed depending upon decision <ul style="list-style-type: none"> • May be referred to differently in some languages. The format to the left will be used in all questions • switch/select key word or equivalent followed by variable/ value being checked • key word for each case followed by variable/ value to compare to • key word for default case (last option) • clear identification of which section of code will be executed depending upon decision

String handling/operations

<code>.length</code>	<code>subject = "ComputerScience"</code> <code>subject.length</code> gives the value 15	<ul style="list-style-type: none">• Suitable key word to indicate length and string identifier e.g. len(string)• Suitable string and characters required identified• Use of key words such as left, right, mid, etc, are all acceptable as long as these are precise• Treating a string as an array of characters is acceptable• Alternate symbol used indicate two strings or values are being concatenated is acceptable e.g. <code>stringA & stringB</code> OR <code>stringA.stringB</code>• Use of comma e.g. <code>print(stringA, stringB)</code> is acceptable to output multiple values but examiners should be aware that this is not concatenation.• Suitable key word to indicate string to be converted and whether this is to be converted to upper or lower case e.g. lower(stringname)• Suitable keyword to indicate conversion and whether this is to or from ASCII. Where converting from ASCII, an integer value must be given and where converting to ASCII, a single character must be given.
<code>.substring(x , i)</code> <code>.left(i)</code> <code>.right(i)</code>	<code>subject.substring(3,5)</code> returns "puter" <code>subject.left(4)</code> returns "Comp" <code>subject.right(3)</code> returns "nce"	
<code>+ (concatenation)</code>	<code>print(stringA + string)</code> <code>print("Hello, your name is : " + name)</code>	
<code>.upper</code> <code>.lower</code>	<code>subject.upper</code> gives "COMPUTERSCIENCE" <code>subject.lower</code> gives "computerscience"	
<code>ASC(...)</code> <code>CHR(...)</code>	<code>ASC(A)</code> returns 65 (numerical) <code>CHR(97)</code> returns 'a' (char)	

File handling		
<pre>open(...) .close() .readLine() .writeLine(...) .endOfFile() newFile()</pre>	<pre>myFile = open("sample.txt") myFile.close() myFile.readLine() returns the next line in the file myFile.writeLine("Add new line") while NOT myFile.endOfFile() print(myFile.readLine()) endwhile newFile("myText.txt")</pre>	<ul style="list-style-type: none"> • open keyword (or equivalent) • read or write clearly identified • write or read keyword (or equivalent) • close file keyword (or equivalent) • newFile keyword (or equivalent)
Arrays		
<pre>array colours[...] array gameboard[...,...] names[...] = ... gameboard[...,...] = ...</pre>	<pre>array colours[5] array colours = ["Blue", "Pink", "Green", "Yellow", "Red"] array gameboard[8,8] names[3] = "Noni" gameboard[1,0] = "Pawn"</pre>	<ul style="list-style-type: none"> • Array identifier • Index number to be accessed in square brackets, rounded brackets or curly braces (all acceptable) • Array identifier assigned to initial values in one step • For 2D arrays, the two indices should be given in one bracket separated by a comma or in two separate brackets, e.g. gameboard[4 , 6] gameboard[4][6] <p>Where 2D arrays are represented by tables in a question, candidates are expected to use the same row/column or column/row format as given in the question. This will always be given.</p>

Sub programs		
<pre> procedure name (...) endprocedure </pre>	<pre> procedure agePass() print("You are old enough to ride") endprocedure procedure printName(name) print(name) endprocedure procedure multiply (num1, num2) print(num1 * num2) endprocedure </pre>	<ul style="list-style-type: none"> • function or procedure key word (or equivalent) • ... followed by identifier • Any parameters passed in are contained within brackets and come after identifier name • Clear identification of which section of code is contained within the subroutine (e.g. indentation, endsub key word, braces)
<pre> procedure(parameters) </pre>	<pre> agePass() printName(parameter) multiply(parameter1, parameter2) </pre>	
<pre> function name (...) ... return ... endfunction </pre>	<pre> function squared(number) squared = number^2 return squared endfunction </pre>	
<pre> function(parameters) </pre>	<pre> print(squared(4)) newValue = squared(4) </pre>	<ul style="list-style-type: none"> • functions only: a suitable method of returning a value (e.g. return keyword or assignment of value to function identifier) <p>e.g.</p> <pre> def newfunction(x,y) total = x + y newfunction = total </pre>

Random numbers

random(..., ...)

myVariable = random(1,6)

myVariable = random(-1.0,10.0)

- **random** key word (or equivalent)
- identification of either smallest and largest number to be chosen **or** just largest number

e.g.

randnumber(10)

rand(1,6)

Comparison operators

==	Equal to	<=	Less than or equal to
!=	Not equal to	>	Greater than
<	Less than	>=	Greater than or equal to

Boolean operators

AND	Logical AND
OR	Logical OR
NOT	Logical NOT

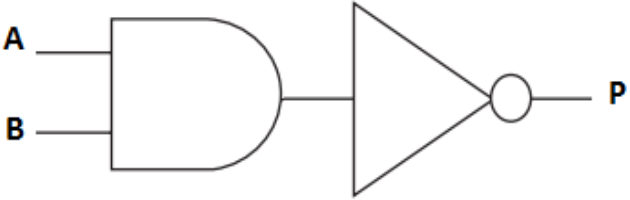
Arithmetic operators

+	Addition
-	Subtraction
*	Multiplication
^	Exponent
/	Division
MOD	Modulus
DIV	Quotient

- = or == are both acceptable for equal to.
- <> is acceptable for not equal to.
- Care must be taken by candidates to ensure that > and < are not mixed up.
- Candidates must understand that < and > are non-inclusive, so that <9 does not include 9. This is different than <=9 which is inclusive and therefore does include 9.
- Alternative symbols for arithmetic operators are acceptable where these appear in other high-level languages (such as % for MOD or ** for exponentiation).
- 6 x 5 is not an acceptable alternative for multiplication.
- Alternative logical operators are acceptable where these appear in other high-level languages (such as && for **AND**).
- Alternative Arithmetic Operators may be used as well (such as % for modulus).
- Candidates must be aware that logical operators must be used correctly:

if x > 0 AND x < 10 is logically correct.

if x > 0 AND < 10 is **not** logically correct.

SECTION A																					
Question		Answer			Marks	Guidance															
1	a		<table border="1"> <thead> <tr> <th>A</th> <th>B</th> <th>P</th> </tr> </thead> <tbody> <tr> <td></td> <td></td> <td></td> </tr> <tr> <td></td> <td></td> <td>1</td> </tr> <tr> <td></td> <td></td> <td>1</td> </tr> <tr> <td></td> <td></td> <td></td> </tr> </tbody> </table>	A	B	P						1			1					2 (AO1 1b)	1 mark for each correct answer in table 'True' or 'T' are also credit worthy.
	A	B	P																		
		1																			
		1																			
b					1 (AO1 1b)	Correct Answer Only															
2	a		<ul style="list-style-type: none"> • <code>input("enter first number")</code> • <code>if</code> • <u><code>num2</code></u> • <code>print (<u>num1</u>)</code> • <code>print (<u>num2</u>)</code> 		5 (AO3 2b)	Allow equivalent pseudocode expressions Variables must not have speech marks around them															

SECTION A				
Question		Answer	Marks	Guidance
	b	<ul style="list-style-type: none"> • use of condition controlled loop (while or do/until)... • ...checking condition of number larger than or equal to 0 • Input number from user within loop (FT if no loop) • multiply number input by 2... •output value in number 	5 (AO3 2b)	<p>e.g. 1 store 10 in number while number is greater than or equal to 0 do the following: Take input from the user, store in number Multiply number by 2 Output number</p> <p>e.g. 2 while number >= 0 number = input() output(number * 2) Ignore non-initialisation of value used in condition for loop.</p>
3		<ul style="list-style-type: none"> • SELECT StudentName, Subject, Grade • FROM Results • WHERE Subject = "Art" 	1 (AO1 1b) 2 (AO3 2a)	<p>Correct Answer Only</p> <p>Accept SELECT *</p>
4	a	<ul style="list-style-type: none"> • RebEl 	1 (AO2 1b)	Correct Answer Only (allow any case)
	b	i	<ul style="list-style-type: none"> • uitFr 	1 (AO2 1b)

SECTION A				
Question	Answer		Marks	Guidance
		ii	6 (AO3 2b)	1 mark for each correct bullet to a maximum of 6. If used, a flowchart should represent the bulleted steps in the answer column.
		<ul style="list-style-type: none"> • Taking firstname, surname and teacher or student as input • Checking IF role is teacher/student (using appropriate selection) • For teacher ...Generating last 3 letters of surname using appropriate string manipulation • ...Generating first 2 of letters of firstname and adding to previous • For student.... correctly calculating as before • Correct concatenation and output <p>e.g. Ask the user to input the data, store in variables firstname, surname and role. Check whether the role entered is teacher. If it is, join the right 3 most letters in surname with the left 2 letters in firstname. Store this in username. If it is not teacher, join the left 3 letters from firstname with the left 2 letters from surname. Store this in username. Output the value in username.</p>		
5	a		1 (AO1 1a)	Maximum 1 mark
		<ul style="list-style-type: none"> • To convert it to binary/machine code • The processor can only understand machine code 		

SECTION A																																		
Question		Answer	Marks	Guidance																														
	b	<ul style="list-style-type: none"> • Compiler translates all the code in one go... • ...whereas an interpreter translates one line at a time • Compiler creates an executable... • ...whereas an interpreter does not/executes one line at a time • Compiler reports errors at the end... • ...whereas an interpreter stops when it finds an error 	4 (AO1 1b)	1 mark to be awarded for the correct identification and one for a valid description up to a maximum of 4 marks. No more than 2 marks for answers relating only to interpreters and no more than 2 marks for answers only relating to compilers.																														
6	a	<table border="1"> <tbody> <tr> <td>crime</td> <td>bait</td> <td>fright</td> <td>victory</td> <td>nibble</td> <td>loose</td> </tr> <tr> <td>bait</td> <td>crime</td> <td>fright</td> <td>victory</td> <td>nibble</td> <td>loose</td> </tr> <tr> <td>bait</td> <td>crime</td> <td>fright</td> <td>nibble</td> <td>victory</td> <td>loose</td> </tr> <tr> <td>bait</td> <td>crime</td> <td>fright</td> <td>nibble</td> <td>loose</td> <td>victory</td> </tr> <tr> <td>bait</td> <td>crime</td> <td>fright</td> <td>loose</td> <td>nibble</td> <td>victory</td> </tr> </tbody> </table>	crime	bait	fright	victory	nibble	loose	bait	crime	fright	victory	nibble	loose	bait	crime	fright	nibble	victory	loose	bait	crime	fright	nibble	loose	victory	bait	crime	fright	loose	nibble	victory	4 (AO2 1b)	1 mark for each row from rows 2–5. Allow multiple swaps in one stage, where it is clear that a bubble sort has been applied.
crime	bait	fright	victory	nibble	loose																													
bait	crime	fright	victory	nibble	loose																													
bait	crime	fright	nibble	victory	loose																													
bait	crime	fright	nibble	loose	victory																													
bait	crime	fright	loose	nibble	victory																													

SECTION A				
Question		Answer	Marks	Guidance
6	b	<ul style="list-style-type: none"> • Comparing zebra to orange • Greater, so split and take right side • Further comparison (1 or 2 depending on choices made) • Correct identification of zebra using methodology above <p>e.g.</p> <p>compare zebra to orange</p> <p>greater, split right</p> <p>compare to wind</p> <p>greater, split right</p> <p>compare to zebra</p>	4 (AO2 1b)	1 mark per bullet (multiple ways through, marks awarded for appropriate comparison and creation of sub groups).
7	a	<p>1 mark for naming the example and 1 mark for an example related to that method</p> <p>E.g</p> <ul style="list-style-type: none"> • Comments/annotation... • ...E.g. any relevant example, such as line 4 checks the input is valid • Indentation... • ...E.g. indenting within IF statement • Using constants... • ...E.g. π 	4 (AO2 1b)	

SECTION A					
Question		Answer		Marks	Guidance
7	b		<ul style="list-style-type: none"> • radius • area 	2 (AO1 1b)	1 mark per bullet up to a maximum of 2 marks.
	c	i	<ul style="list-style-type: none"> • 3.142 • 2 • 1 • 30 	1 (AO2 1a)	1 mark for one correct identification.
	c	ii	<ul style="list-style-type: none"> • The number does not need to be changed while the program is running • The number can be updated once and it updates throughout 	1 (AO1 1a)	Maximum of 1 mark.
	d		<ul style="list-style-type: none"> • HAS been used • HAS been used • HAS NOT been used 	3 AO2 1b	
	e		<ul style="list-style-type: none"> • Error diagnostics (any example) • Run-time environment • Editor (any feature such as auto-correct, auto-indent) • Translator • Version control • Break point • Stepping 	2 (AO1 1a)	1 mark per bullet to a maximum of 2 marks. Only 1 example per bullet, e.g. auto-correct and auto-indent would only gain 1 mark.

SECTION B				
Question	Answer		Marks	Guidance
8	a	<p>Integer (1)...</p> <ul style="list-style-type: none"> ...number of seconds not important (1) ... level of accuracy not needed so round to nearest minute (1) ...using a decimal to store seconds (0-60) is not appropriate (1) <p>Real (1)...</p> <ul style="list-style-type: none"> ... number of seconds may be important (1) ... allows parts/fractions to be stored over integers (1) 	<p>1 (AO3 2a)</p> <p>1 (AO3 1)</p>	<p>One mark for appropriate data type identified.</p> <p>One mark for appropriate justification linked to the data type chosen.</p>
8	b	i	<p>3 (AO3 2b)</p>	<p><u>High-level programming language / OCR Exam Reference Language response required</u></p> <p>Do not accept pseudocode / natural English.</p> <p>MP2 do not accept 'greater than', must use the HLL syntax > or >=</p> <p>MP3 must be a suitable output command word that could be found in a HLL e.g. print (Python), console.writeline (VB), cout (C++)</p>
	b	ii	<p>2 (AO3 2c)</p>	

SECTION B				
Question		Answer	Marks	Guidance
8	c	<pre>print (minsPlayed[0,4])</pre>	<p>1 (AO3 2b)</p>	<p><u>High-level programming language / OCR Exam Reference Language response required</u></p> <p>Do not accept pseudocode / natural English.</p> <p><code>print</code> may be a suitable output command word that could be found in a HLL e.g. <code>print</code> (Python), <code>console.writeline</code> (VB), <code>cout</code> (C++)</p> <p>The array elements may be accessed together <code>[0,4]</code> (VB.NET) or separately <code>[0][4]</code> (Python)</p>
8	d	<ul style="list-style-type: none"> Initialises total as 0 and prints out total the end (as per original program) Uses iteration, e.g. FOR, WHILE ...that repeats 5 times ...correctly adds up values using loop index <p>e.g.</p> <pre>total = 0 for x = 0 to 4 total = total + hoursplayed[2, x] next x console.writeline(total)</pre> <p>e.g.</p> <pre>total = 0 for x in range (0, 4) total += hoursplayed[2][x] next x print (total)</pre>	<p>4 (AO3 2c)</p>	<p><u>High-level programming language / OCR Exam Reference Language response required</u></p> <p>Do not accept pseudocode / natural English.</p> <p>MP1 must have appropriate identifier, = and then the numeric 0 MP2 must have <code>for</code> or <code>while</code> MP3 must have the for stopping condition 4/5 MP4 must have the same identifier for MP1 and equal and + to add the data in the array (using either <code>[x,y]</code> or <code>[x][y]</code>). This could be <code>total = total +</code> Or <code>total +=</code></p>

SECTION B																																	
Question	Answer		Marks	Guidance																													
		<pre>e.g. total = 0; for (int x = 0; x <= 4; x++){ total = total + hoursplayed[2][x]; } System.out.println (total);</pre>																															
8	e	<table border="1"> <thead> <tr> <th></th> <th>x</th> <th>y</th> <th>output</th> </tr> </thead> <tbody> <tr> <td>MP1</td> <td>15</td> <td>0</td> <td></td> </tr> <tr> <td rowspan="2">MP2</td> <td>14</td> <td>1</td> <td></td> </tr> <tr> <td>12</td> <td>2</td> <td></td> </tr> <tr> <td rowspan="3">MP3</td> <td>9</td> <td>3</td> <td></td> </tr> <tr> <td>5</td> <td>4</td> <td></td> </tr> <tr> <td>0</td> <td>5</td> <td></td> </tr> <tr> <td>MP4</td> <td></td> <td></td> <td>5</td> </tr> </tbody> </table>		x	y	output	MP1	15	0		MP2	14	1		12	2		MP3	9	3		5	4		0	5		MP4			5	<p>4 (AO3 2c)</p>	<p>one mark for first row</p> <p>one mark for row 2 and 3</p> <p>one mark for rows 4, 5, and 6</p> <p>one mark for the correct output (the only value in the output column, in any position)</p>
	x	y	output																														
MP1	15	0																															
MP2	14	1																															
	12	2																															
MP3	9	3																															
	5	4																															
	0	5																															
MP4			5																														
8	f	<p>1 mark per bullet</p> <ul style="list-style-type: none"> • Test data either 0 or less characters, or 20 or more characters • Stating correct output • Test data between 1 and 19 characters (inc) • Stating correct output 	<p>4 (AO3 2c)</p>	<p>Mark test data first, both must meet different criteria. Then mark output for each.</p>																													

SECTION B				
Question		Answer	Marks	Guidance
8	g	i	2 (AO3 2a)	
	g	ii	4 (AO3 2a)	<pre>hours = input("Please enter number of hours played") minutes = input("Please enter number of minutes played") finalTotal = totalMins(hours, minutes) print (finalTotal) function totalMins(hours,minutes) total = (hours * 60) + mins return total endfunction</pre> <ol style="list-style-type: none"> Parameters named in function must be used within the function itself Does not matter if function uses different names to those declared in main program Return must be included with the correct local variable for total

SECTION B					
Question			Answer	Marks	Guidance
8	g	iii	<ul style="list-style-type: none"> • Takes input from the user • Compares if input is larger than 120... • ...if true, outputs "You played games for too long!" • ...if false, outputs "You are under your time limit!" 	<p>4 (AO3 2b)</p>	<p><u>High-level programming language / OCR Exam Reference Language response required</u></p> <p>Do not accept pseudocode / natural English.</p> <p>Example algorithm given below</p> <pre>minutes = input("Enter minutes played") if minutes > 120 print "You played games for too long!" else print "You are under your time limit!" endif</pre> <p>Accept alternative (but suitable) output messages.</p> <p>Accept logical comparison of input less than or equal to 120 and appropriate True/False statements.</p>

Summary of updates

Date	Version	Details				
July 2020	1.3	<ul style="list-style-type: none"> Question 2a increased to 5 marks. Reflected in the mark scheme. Question 8b(ii) reduced to 2 marks. Reflected in the mark scheme. 				
June 2020	1.2	<ul style="list-style-type: none"> Updated question 8(c) from 'Write program code' to 'Write a line of code' Updated mark scheme guidance on page 19 for question 8(g)(ii) from total = hours + mins * 60 to total = (hours * 60) + mins Syntax 'Guide' updated to Syntax 'guidance' Within the syntax guidance, added concatenation and an additional way of declaring 1D arrays Corrected typos 				
October 2019	1.1	<ul style="list-style-type: none"> Updated question 1(a) and the mark scheme to reflect that teachers more commonly use '0' and '1' rather than 'True' and 'False'. Question 8(f) on page 17 - updated the 'v' in 'valid' to lower case Mark scheme on page 10 - minor reformatting of the Operators table Mark scheme on page 17 – added 'while' to the MP2 guidance column Mark scheme on page 20 - updated 'mins' to 'minutes' and capitalised 'E' in 'Enter' 				
September 2019	1	To clearly differentiate the updated approach for the external assessment of Practical Programming skills for first teach 2019 / first assessment 2022, we have updated our qualification code from J276 to J277.				
September 2019	1	<p>We've introduced sectioning – Section A and Section B. Section B contains questions that relate to the updates made to our qualification for first teach 2020 / first assessment 2022 where we assess Practical Programming skills in the examination. Some questions in Section B require candidates to answer in either the OCR Exam Reference Language or a high-level programming language.</p> <p>Mapping of questions:</p> <table border="1" data-bbox="573 1337 1462 1409"> <tbody> <tr> <td>J277 SAM</td> <td>J276 SAM</td> </tr> <tr> <td>1(a)</td> <td>3 (c)</td> </tr> </tbody> </table>	J277 SAM	J276 SAM	1(a)	3 (c)
J277 SAM	J276 SAM					
1(a)	3 (c)					

		1(b) <i>new</i>	
		2(a) <i>new</i>	
		2(b) <i>new</i>	
		3 <i>new</i>	
		4(a) <i>updated</i>	4(a)
		4(b) (i) and 4(b) (ii)	4(b)
		5(a)	5(a)
		5(b)	5(b)
		6(a)	7(a)
		6(b)	7(b)
		7(a)	8(a)
		7(b)	8(b)
		7(c)(i) and 7(c)(ii)	8(c)(i) and (c)(ii)
		7(d) <i>new</i>	
		7(e)	8(d)
		8(a) <i>new</i>	
		8(b)(i) <i>new</i>	
		8(b)(ii) <i>new</i>	
		8(c)	6(c)(i)
		8(d) <i>new</i>	
		8(e) <i>new</i>	
		8(f)	6(d)
		8(g)(i) <i>new</i>	
		8(g)(ii)	6(e)
		8(g)(iii) <i>new</i>	
September 2019	1	We've reviewed the look and feel of our papers through text, tone, language, images and formatting. For more information please see our assessment principles in our 'Exploring our question papers' brochure on our website.	