

Write your name here

Surname

Other names

Centre Number

Candidate Number

Edexcel GCSE

**Design and Technology:
Resistant Materials Technology
Unit 2: Knowledge and Understanding of
Resistant Materials Technology**

Friday 7 June 2013 – Afternoon

Time: 1 hour 30 minutes

Paper Reference

5RM02/01

You do not need any other materials.

Total Marks

Instructions

- Use **black** ink or ball-point pen.
- If pencil is used for diagrams/sketches it must be dark (HB or B). Coloured pens, pencils and highlighter pens must **not** be used.
- **Fill in the boxes** at the top of this page with your name, centre number and candidate number.
- Answer **all** questions.
- Answer the questions in the spaces provided
– *there may be more space than you need.*

Information

- The total mark for this paper is 80.
- The marks for **each** question are shown in brackets
– *use this as a guide as to how much time to spend on each question.*
- Questions labelled with an **asterisk** (*) are ones where the quality of your written communication will be assessed
– *you should take particular care on these questions with your spelling, punctuation and grammar, as well as the clarity of expression.*

Advice

- Read each question carefully before you start to answer it.
- Keep an eye on the time.
- Try to answer every question.
- Check your answers if you have time at the end.

Turn over ►

P41161A

©2013 Pearson Education Ltd.

6/6/6/6



PEARSON

Answer ALL the questions.

For each question 1 to 10, choose an answer A, B, C or D. Put a cross in the box indicating the answer you have chosen ☒. If you change your mind about an answer, put a line through the box ☒ and then mark your new answer with a cross ☒.

1 Which **one** of the following is **not** a manufactured board?

- A** Hardboard
- B** Plywood
- C** Beech
- D** Medium density fibreboard (MDF)

(Total for Question 1 = 1 mark)

2 Which **one** of the following is iron alloyed with to make mild steel?

- A** Carbon
- B** Zinc
- C** Brass
- D** Aluminium

(Total for Question 2 = 1 mark)

3 Which **one** of the following processes involves the use of heat?

- A** Turning
- B** Laminating
- C** Vacuum forming
- D** Pop riveting

(Total for Question 3 = 1 mark)

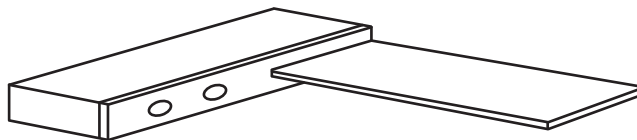
4 Which **one** of the following tools is an abrading tool?

- A** Plane
- B** File
- C** Chisel
- D** Saw

(Total for Question 4 = 1 mark)



5 What is the tool below used for?



- A Measuring angles
- B Marking out and checking right angles
- C Marking lines parallel to an edge
- D Measuring small distances

(Total for Question 5 = 1 mark)

6 Photovoltaic cells react to which form of energy?

- A Solar
- B Wind
- C Tidal
- D Oil

(Total for Question 6 = 1 mark)

7 Which **one** of the following is **not** a property of mild steel?

- A Magnetic
- B Malleable
- C Tough
- D Plasticity

(Total for Question 7 = 1 mark)

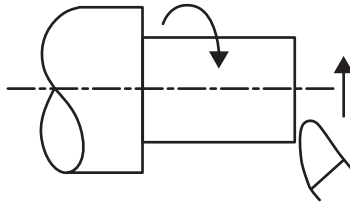
8 Reactive glass will change colour when subjected to which **one** of the following?

- A Sunlight
- B Heat
- C Water
- D Cold

(Total for Question 8 = 1 mark)



9 Which turning process is shown below?



- A Parallel turning
- B Facing
- C Taper turning
- D Parting

(Total for Question 9 = 1 mark)

10 Which **one** of the following best describes the process of case hardening?

- A Removes the brittleness of the metal once hardened
- B Increases the hardness of the metal
- C Makes the surface shiny
- D Makes the outside surface harder

(Total for Question 10 = 1 mark)

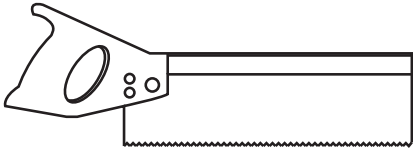

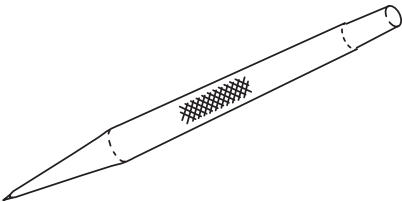
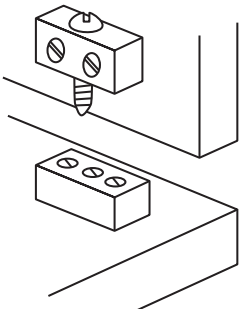


BLANK PAGE



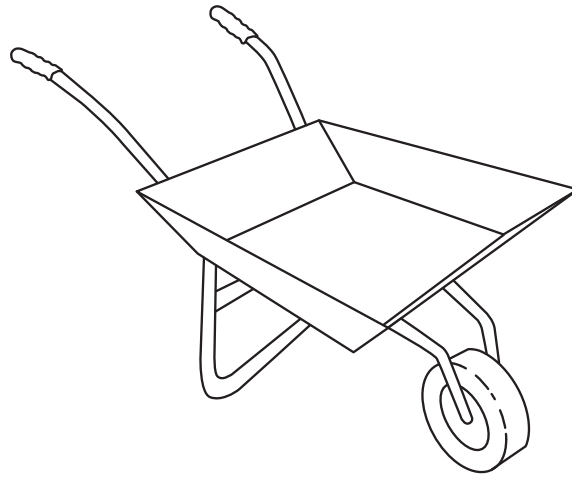
11 (a) The table below shows some tools and equipment.

Complete the table below by giving the missing names and uses.

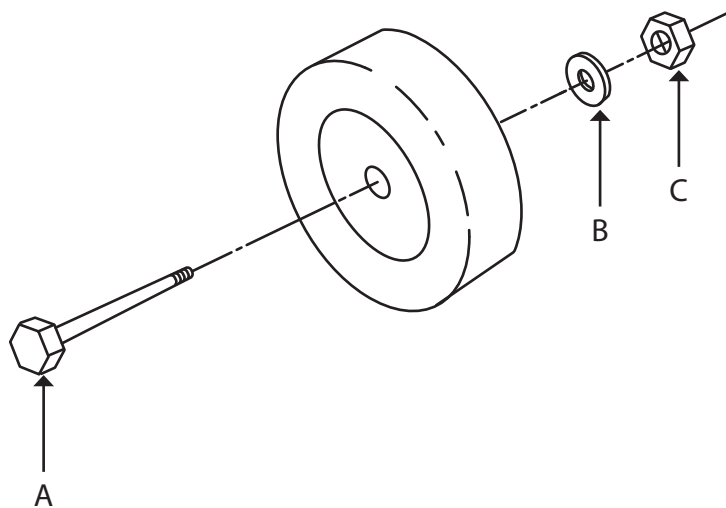
Tools/Equipment	Name	Use
	Tenon saw	(1)
	(1)	Creates a shape for a screw head to sit in
	Scriber	(1)
	Knock down fitting	(1)



(b) The diagram below shows a wheelbarrow.



The drawing below shows an exploded view of the front axle for the wheelbarrow.



(i) Name the parts labelled A, B and C.

(3)

A

B

C

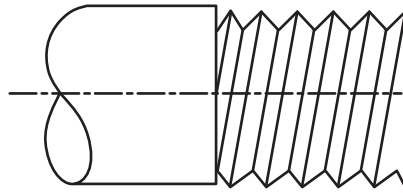
(ii) State whether the joining method shown above is a temporary or permanent joining method.

(1)

.....

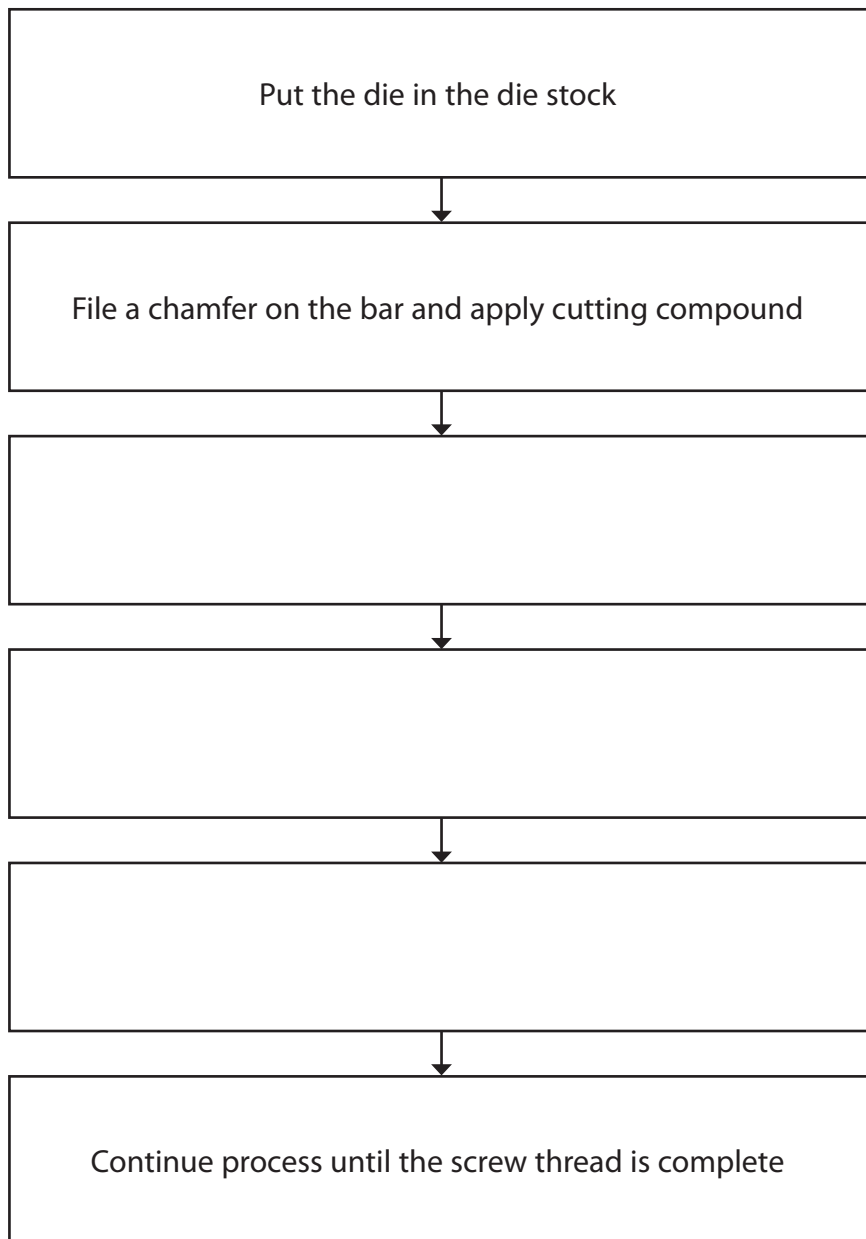


(c) The external screw thread shown below can be made using hand tools in a school workshop.



Complete the flow chart to show the correct sequence for cutting a screw thread. Some stages have been completed for you.

(3)



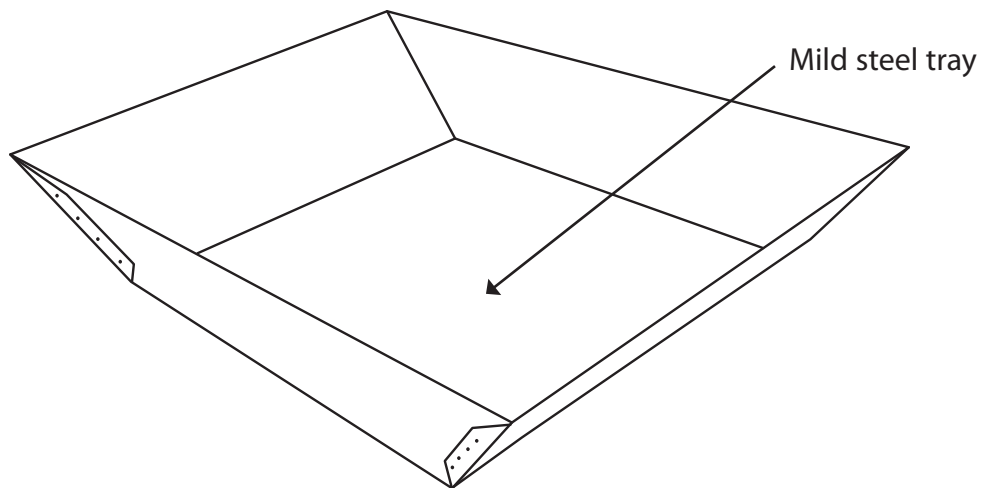
(d) Name **two** different metal joining processes which involve the use of heat.

(2)

1

2

(e) The wheelbarrow tray is made from mild steel.



Explain **two** advantages of making the wheelbarrow tray from mild steel.

(4)

1

.....

.....

2

.....

.....

(f) Explain **one** way in which materials can be reduced in the manufacture of the wheelbarrow.

(2)

.....

.....

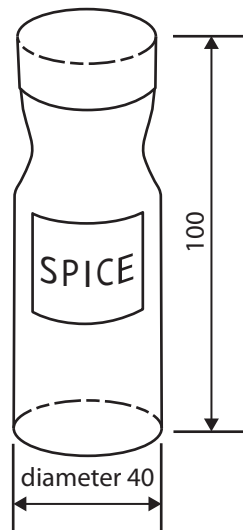
.....

(Total for Question 11 = 19 marks)



12 You have been asked to design a spice jar holder.

Dimensions of spice jar



All dimensions in mm

The specification for the spice jar holder is that it must:

- hold four spice jars
- keep the spice jars upright
- allow for easy removal of spice jars
- have a stable base
- be portable
- stop the jars from falling out when moved
- be made from materials available in a school workshop
- be manufactured using processes available in a school workshop.

In the spaces opposite, use sketches and, where appropriate, brief notes to show **two different** design ideas for the spice jar holder that meet the specification points above.

Candidates are reminded that if a pencil is used for diagrams/sketches it must be dark (HB or B).

Coloured pens, pencils and highlighter pens must **not** be used.

PLEASE DO NOT WRITE OR DRAW IN THIS SPACE.

PLEASE USE THE SPACES OPPOSITE FOR YOUR DESIGNS.



Design idea 1

(8)

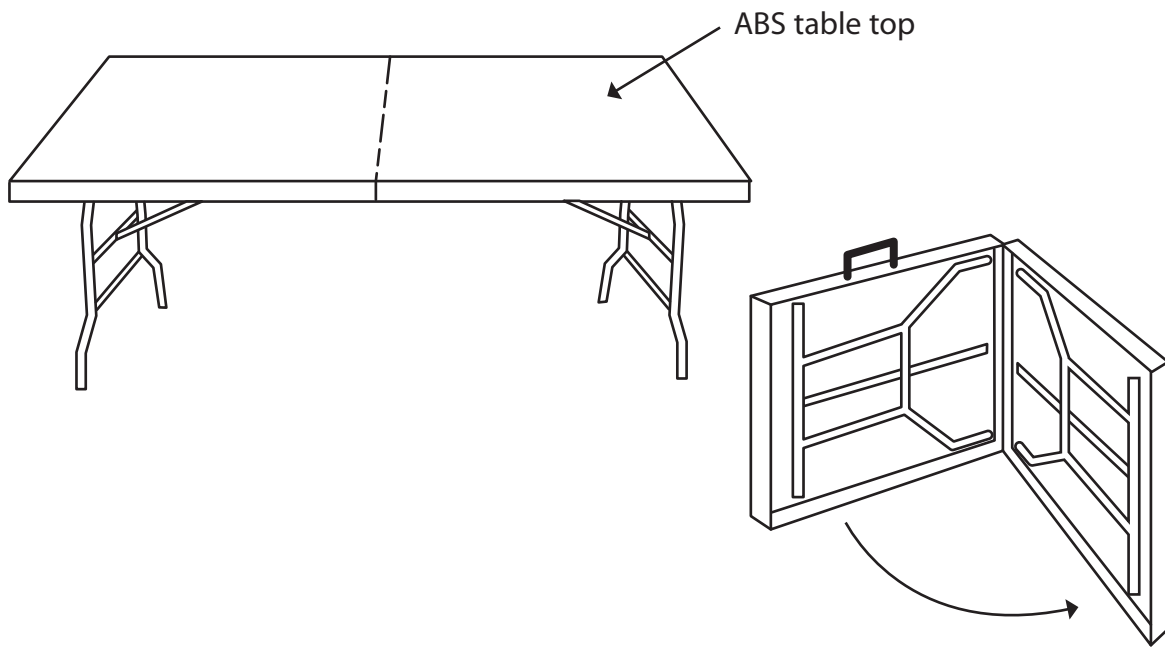
Design idea 2

(8)

(Total for Question 12 = 16 marks)



13 The drawing below shows a garden table.



(a) Give **two** properties of ABS which make it suitable for the table top.

(2)

1

2

(b) The legs of the garden table are made from mild steel.

(i) Give **two** reasons for applying a surface finish to the mild steel table legs.

(2)

1

2

(ii) Name **two** finishes that could be applied to the mild steel table legs.

(2)

1

2



(c) Explain why the garden table is successful in meeting the following specification points:

(i) easy to keep clean

(2)

.....

.....

.....

.....

(ii) easy to store away in winter.

(2)

.....

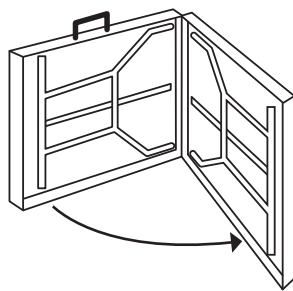
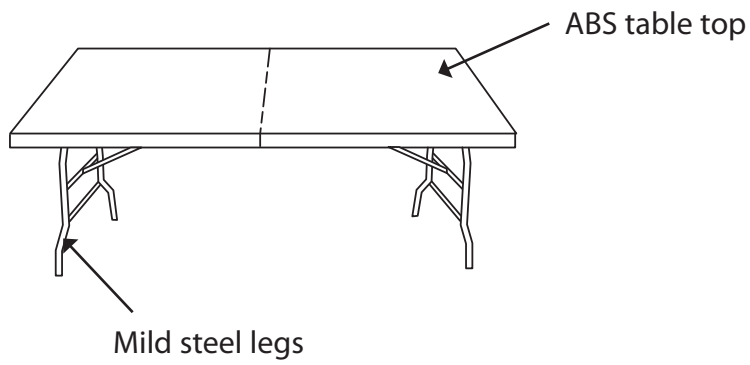
.....

.....

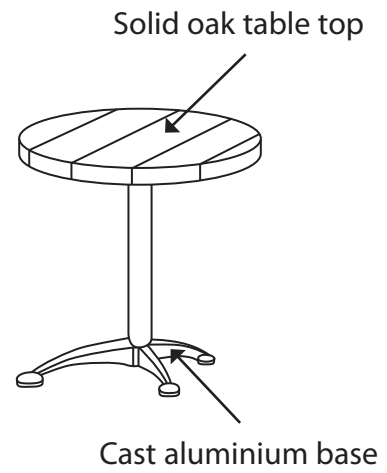
.....



*(d) The drawing below shows two different types of garden table.



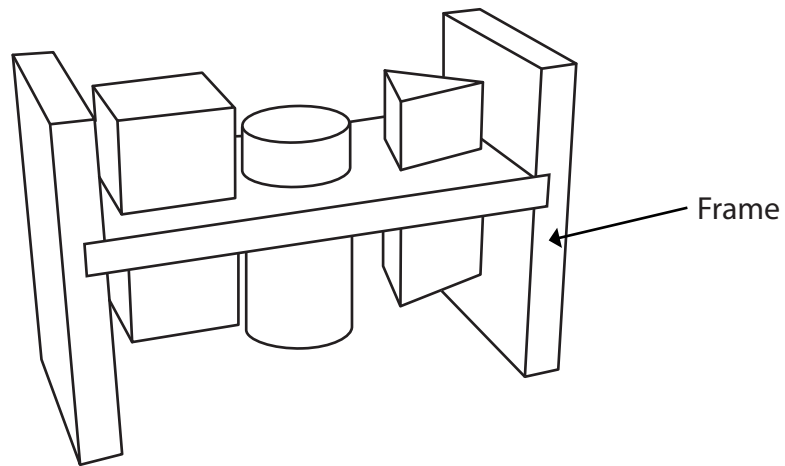
Garden Table A



Garden Table B



14 The drawing below shows a child's toy.

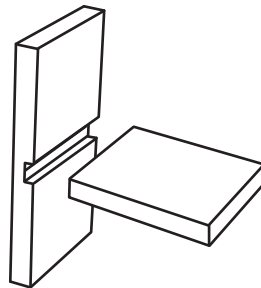


The frame of the child's toy is made from oak.

(a) Give **two** properties of oak that make it suitable for the frame of the child's toy. (2)

1

2



(b) (i) Name the type of joint shown above which is used in the frame. (1)

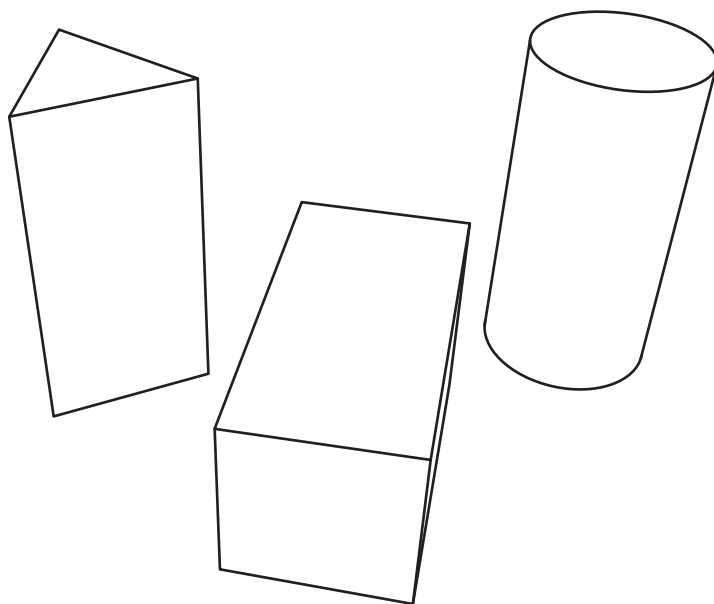
.....

(ii) Name an appropriate adhesive to use when gluing the joint. (1)

.....



(c) The shaped blocks shown below are made from polyvinyl chloride (PVC).



(i) Give **two** properties of PVC that make it suitable for the shaped blocks.

Justify your answer for each property.

(4)

Property 1

Justification

Property 2

Justification

(ii) The shaped blocks are hollow.

Name **one** process that could be used to make the hollow shaped blocks.

(1)



(d) The final toy design was virtually modelled and tested using computer-aided design (CAD).

Describe **two** advantages of virtually modelling and testing the final design using CAD before starting manufacture.

(4)

1

.....

.....

.....

2

.....

.....

.....



BLANK PAGE

